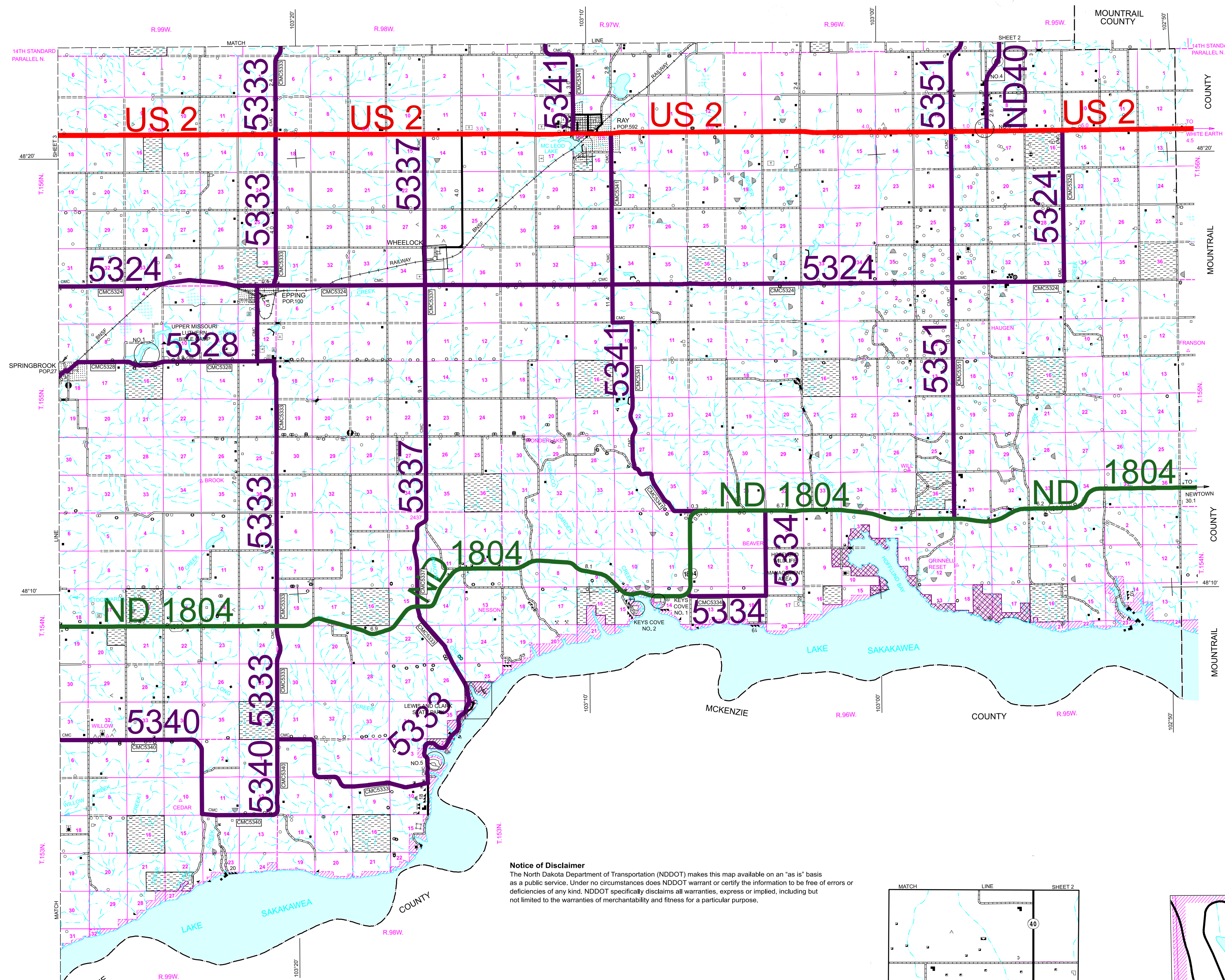


# 2007 FUNCTIONAL CLASSIFICATION

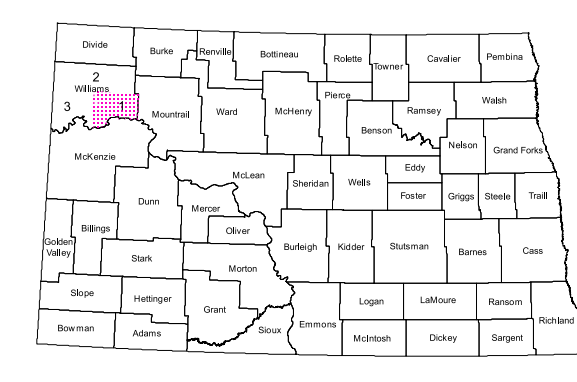
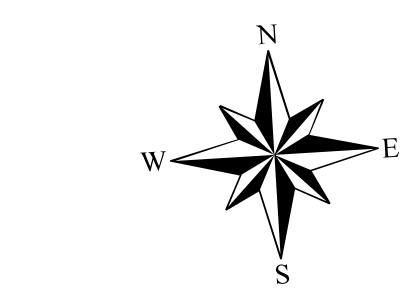
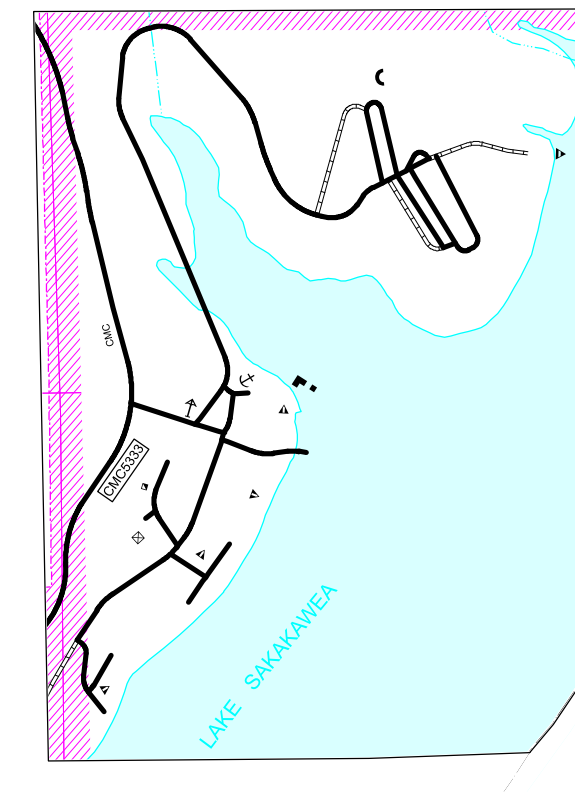
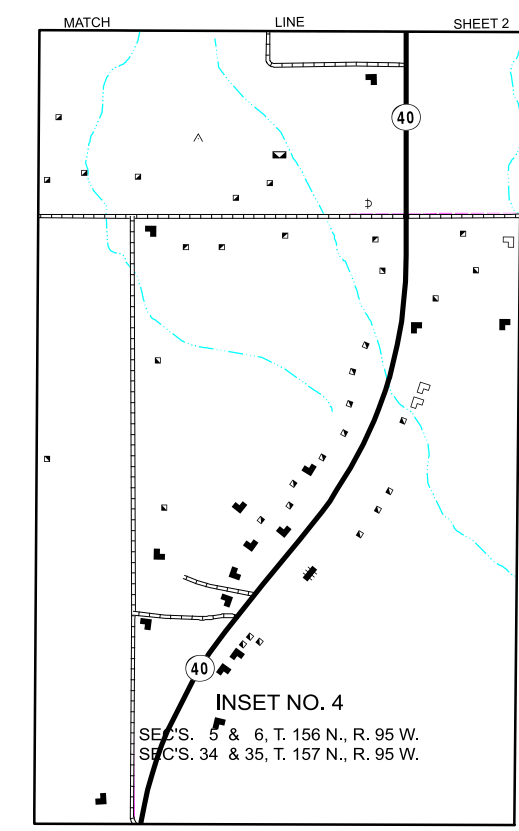
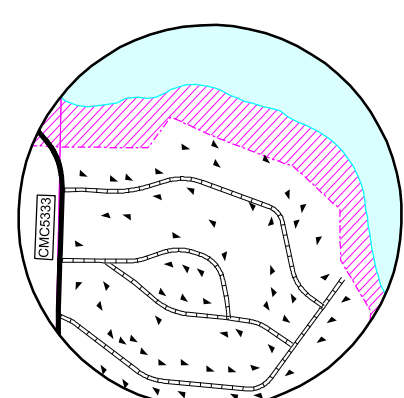
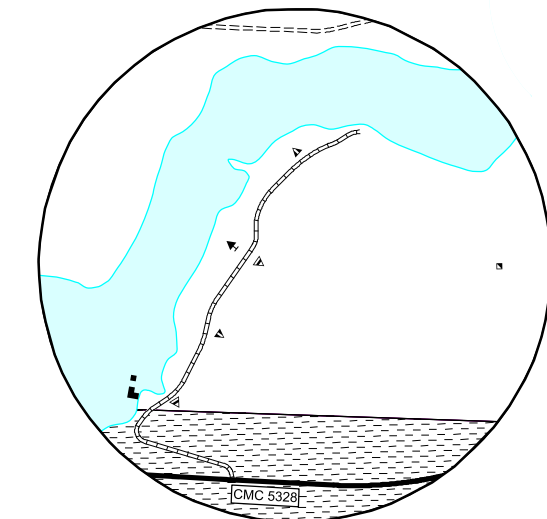
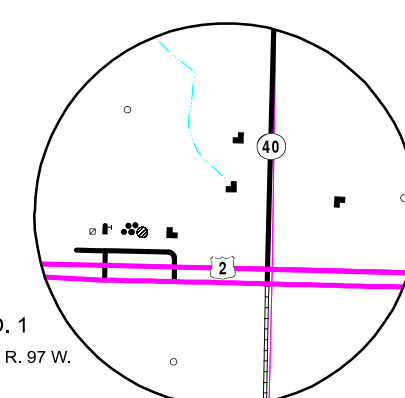
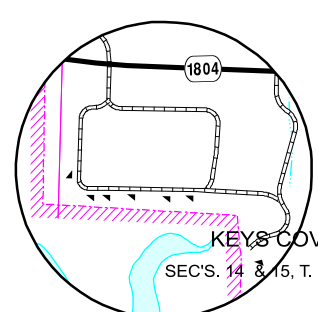
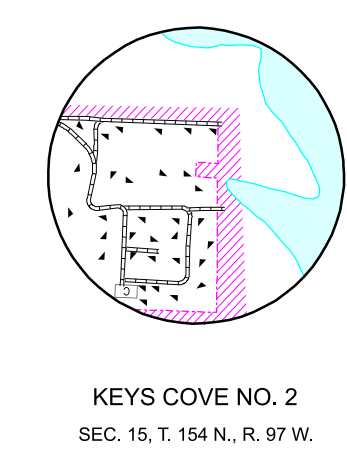
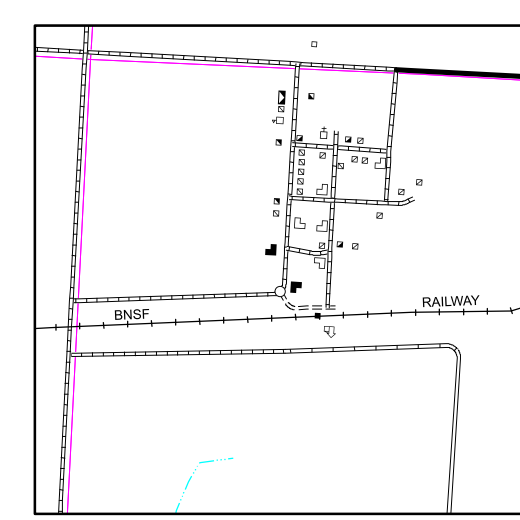


### LEGEND

- INTERSTATE
- PRINCIPAL ARTERIAL
- MINOR ARTERIAL
- MAJOR COLLECTOR

**REVISION DATE AND CHANGE**

- 04-08-2015 Addition of 34 miles to CMC5324
- 04-08-2015 Addition of 12.5 miles to CMC5337
- 04-08-2015 Addition of 4 miles to CMC5324
- 04-08-2015 Addition of 2 miles to CMC5340
- 04-08-2015 Addition of 12.5 miles to CMC5324



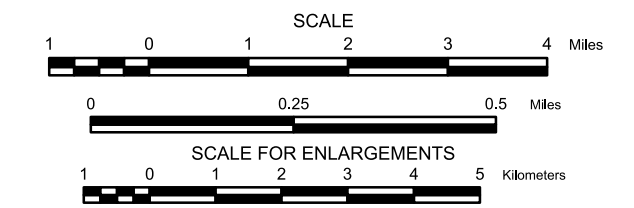
### GENERAL LEGEND

ROADS AND ROADWAY FEATURES	FARM UNITS, DWELLINGS, ETC.
PRIMITIVE ROAD	FARM UNIT (FARM UNITS SHOWN IN MUNICIPAL LIMITS INDICATE FARM BUILDINGS FOR FARM USE)
UNIMPROVED ROAD	DWELLING OTHER THAN FARM
GRAVEL GRADED AND DRAINED ROAD	ROWS OR GROUPS OF DWELLINGS
PAVED ROAD	CLOSELY SPACED (FIGURE DENOTES NUMBER OF DWELLINGS)
STREETS IN UNINCORPORATED AREAS	BARRACKS, OR DORMATORIES FOR STUDENTS, WORKERS, MIGRANTS, ETC.
INDIAN SERVICE ROAD	SEASONAL OR SUMMER COLONY
COUNTY MAJOR COLLECTOR	DWELLING
ROUTE NUMBER	SEASONAL DWELLINGS CLOSELY SPACED
POINTS BETWEEN WHICH DISTANCES ARE MEASURED	CHURCH
INTERSTATE NUMBERED HIGHWAY	CEMETERY
U.S. NUMBERED HIGHWAY	WELL
STATE HIGHWAY SYSTEM	TOLL HOUSE, STATE PORT OF ENTRY, OR WEIGHT STATION
	TENANT HOUSE
	<b>PUBLIC SERVICE FACILITIES</b>
	POST OFFICE
	HIGHWAY GARAGE
	FIRE ENGINE HOUSE
	GARBAGE OR RUBBISH DUMP
	SEWAGE DISPOSAL PLANT
	SANITARY FILL
	AUTOMOBILE GRAVEYARD
	WATER SUPPLY STAND PIPE OR TANK
	POWER SUBSTATION
	BOOSTER STATION
	COMMUNICATION TOWER
	POLICE STATION
	MUNICIPAL BUILDING
	COURTHOUSE
	<b>CONSERVATION AND RECREATION</b>
	PICNIC GROUND
	PLAYGROUND, BALL FIELD, ETC.
	SCENIC SITE
	CAMP SITE, NO PERMANENCE (TENTS OR TRAILER PARKING)
	TOURIST COURT, OR MOTEL
	REST AREA
	SMALL PARK (SP-STATE, CP-COUNTY, MP-MUNICIPAL, WP-WAYSIDE PARK)
	GOLF GROUND OR COUNTRY CLUB
	FAIR GROUND, RACE COURSE, SPEEDWAY
	GUIDE HOUSE OR GATE HOUSE
	<b>INDUSTRIAL</b>
	STORE OR SMALL BUSINESS ESTABLISHMENT
	FACTORY OR INDUSTRIAL PLANT
	GAS TANK
	GROUP OF STORAGE TANKS (OIL OR GAS)
	FILLING STATION
	PUMPING STATION (OIL OR GAS)
	Gauging or Pumping Station
	WAREHOUSE - GENERAL
	GRAIN ELEVATOR
	BEEHIVE
	GRAVEL PIT
	OIL OR GAS WELL
	MINE - SHAFT OR DRIFT (ANY KIND)
	<b>EDUCATIONAL AND CORRECTIONAL INSTITUTIONS</b>
	TOWN-HALL, GRANGE, OR COMMUNITY HALL
	MUSEUM - GENERAL
	<b>CITY AND VILLAGE CENTERS</b>
	COUNTY SEAT
	OTHER CITIES AND VILLAGES
	INCORPORATED CITY OR VILLAGE (GENERALIZED)
	<b>AIRPORTS</b>
	AIRFIELD, LIMITED FACILITIES
	LANDING AREA OR STRIP

**Notice of Disclaimer**  
The North Dakota Department of Transportation (NDDOT) makes this map available on an "as is" basis as a public service. Under no circumstances does NDDOT warrant or certify the information to be free of errors or deficiencies of any kind. NDDOT specifically disclaims all warranties, express or implied, including but not limited to the warranties of merchantability and fitness for a particular purpose.

## GENERAL HIGHWAY MAP WILLIAMS COUNTY NORTH DAKOTA

PREPARED BY THE  
NORTH DAKOTA DEPARTMENT OF TRANSPORTATION  
PLANNING / ASSET MANAGEMENT DIVISION  
IN COOPERATION WITH THE  
U.S. DEPARTMENT OF TRANSPORTATION  
FEDERAL HIGHWAY ADMINISTRATION



2009

BASED ON AERIAL PHOTOGRAPHY OF 1954  
GROUND INVENTORY OF 2009  
AERIAL INVENTORY OF 2009  
UNIVERSAL TRANSVERSE MERCATOR ZONE 14  
NORTH AMERICAN DATUM 83