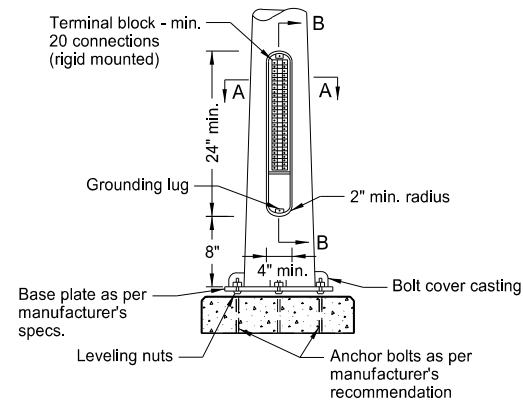
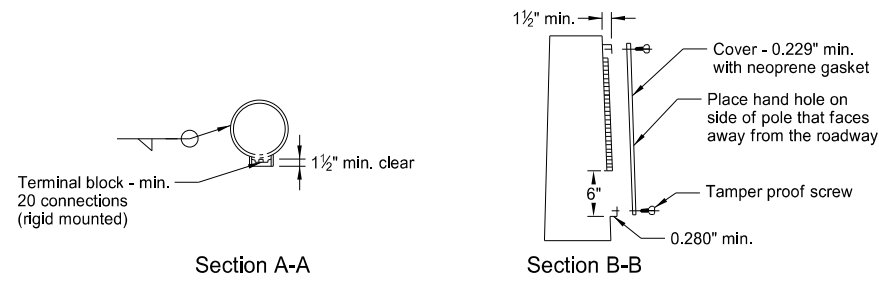
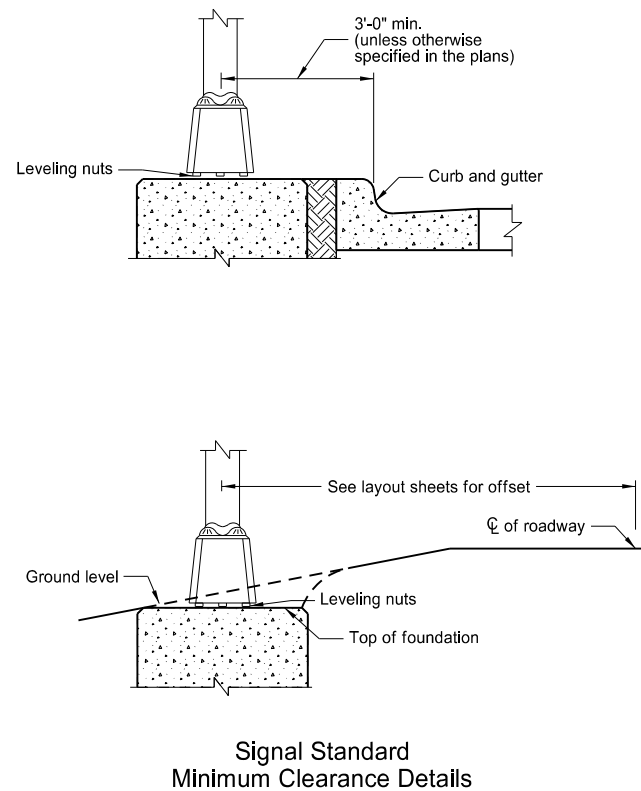
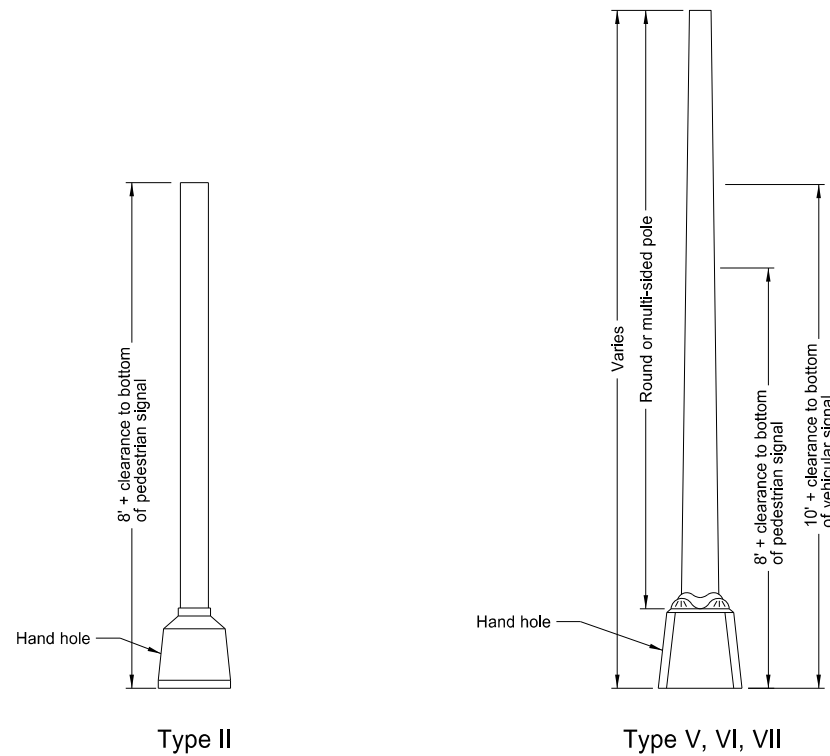
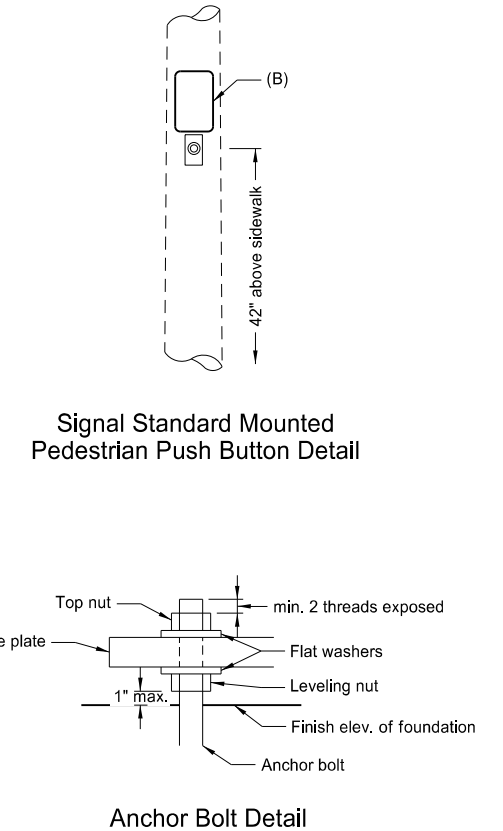
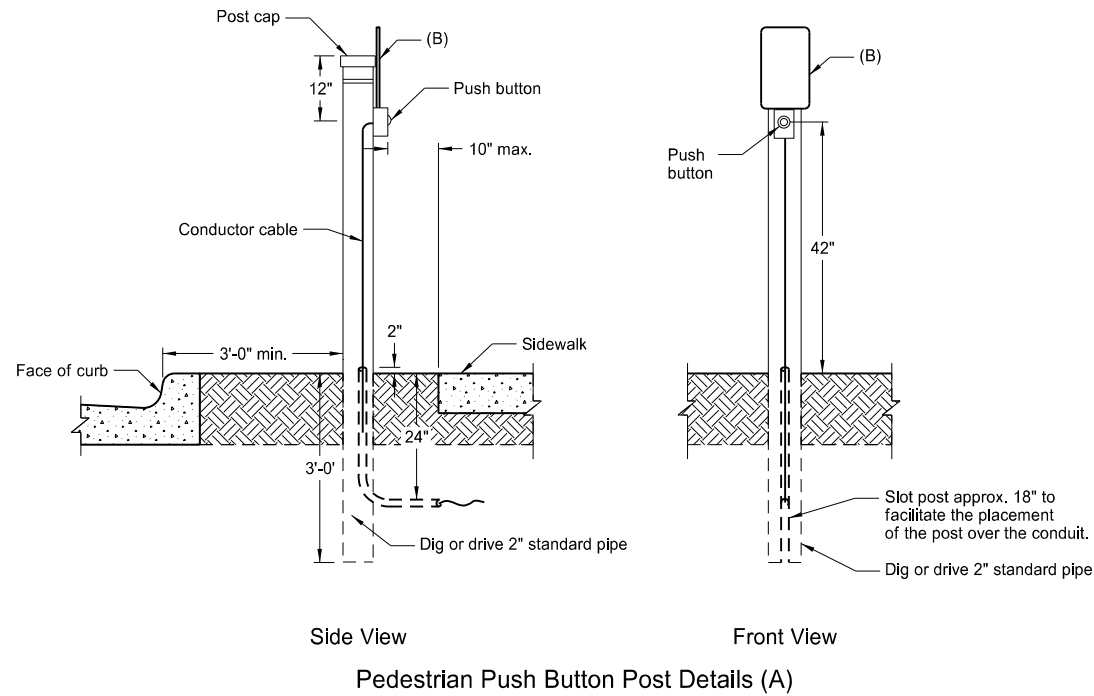


# TRAFFIC SIGNAL STANDARDS

D-772-2



Alternate Signal Standard Base  
For use only with Type V, VI, and VII signal standards.



- (A) Use positioning of the sign, pushbutton, and direction of arrow to clearly indicate which crosswalk is actuated by the push button. Place type of sign based on the jurisdiction in which placed.
- (B) Attach sign to post using rust resistant 0.081 aluminum bracket and banding. See Standard Signs book for dimensions and legend series. See plans for type of sign.

Notes:

- Signal Heads: See traffic signal layout for correct mounting position, number, size, and arrangement of lenses.
- Steel Standards: Place signal standard a minimum of 3 ft. from the face of the curb to center of signal standard, unless shown otherwise on layout sheets.
- Paint: See note sheet for required color of paint.
- Transformer Base: In lieu of transformer base use alternate signal standard base.

NORTH DAKOTA DEPARTMENT OF TRANSPORTATION	
11-14-13	
REVISIONS	
DATE	CHANGE
10-17-17	Updated to active voice.
10-25-19	Added 10" dim for ped pushbutton.

This document was originally issued and sealed by  
Kirk J Hoff,  
Registration Number  
PE- 4683,  
on 10/25/19 and the original document is stored at the North Dakota Department of Transportation