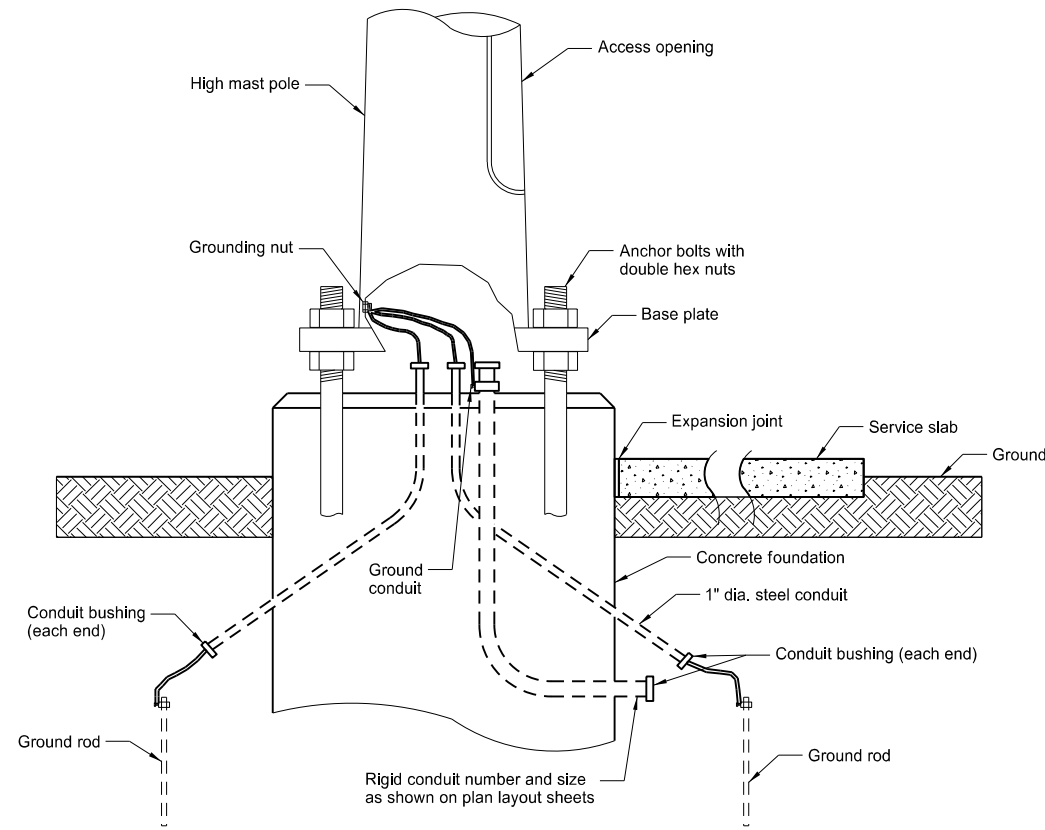
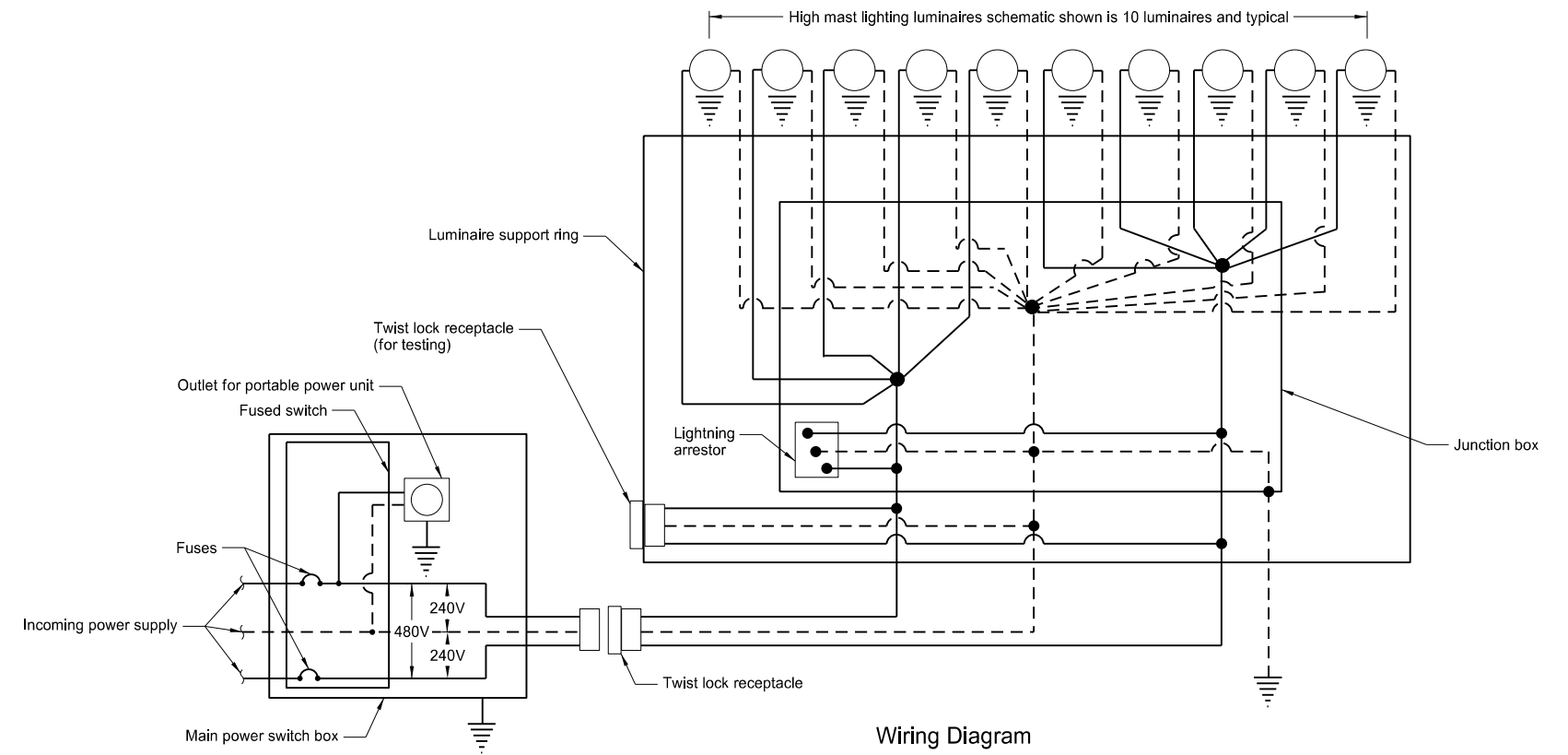


HIGH MAST LIGHTING

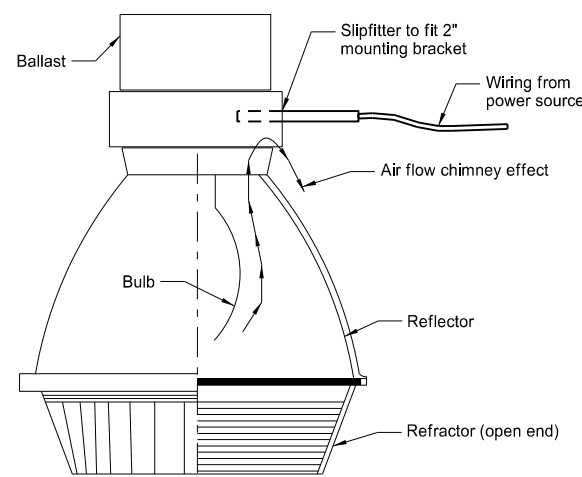
D-770-9



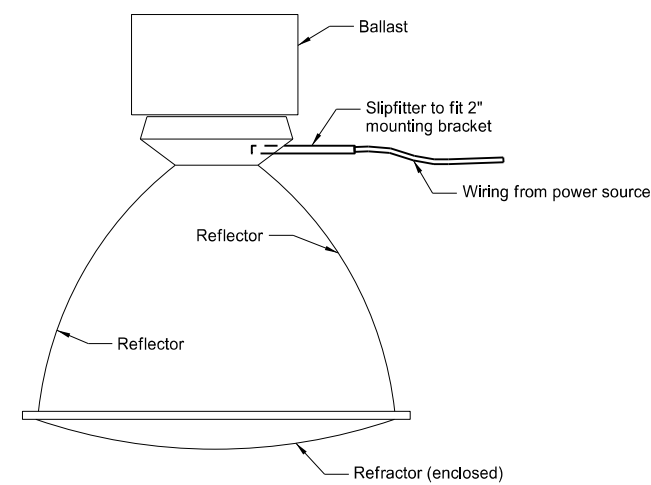
Conduit and Grounding Detail at Base



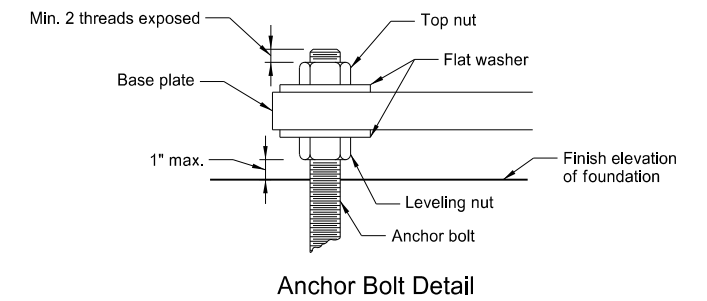
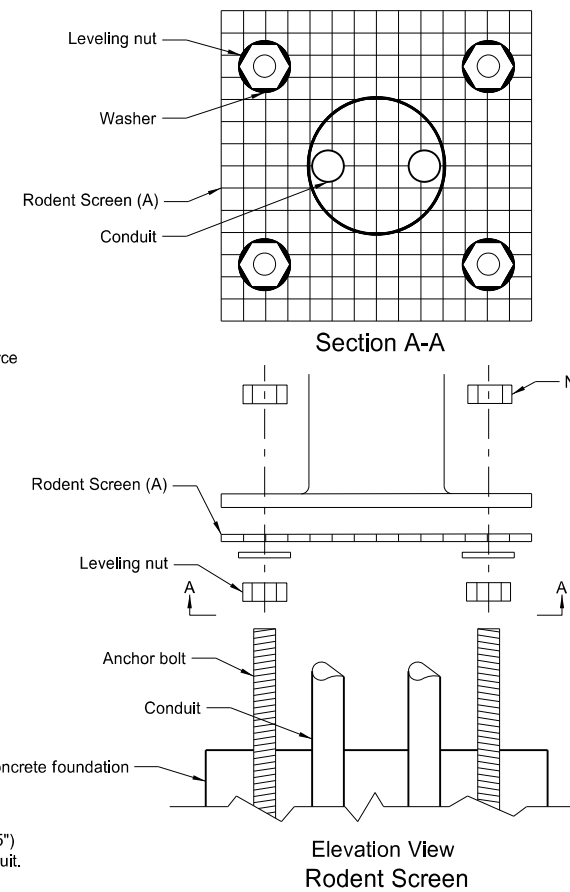
Wiring Diagram



Typical Luminaire Details (1000 watt)



(A) 1/4"x1/4" galvanized steel welded wire fabric (wire dia. 0.025") cut same size as base plate and form tightly around the conduit.



Anchor Bolt Detail

NORTH DAKOTA DEPARTMENT OF TRANSPORTATION	
10-8-13	
REVISIONS	
DATE	CHANGE
8-28-19	New Design Engineer PE Stamp.

This document was originally issued and sealed by Kirk J Hoff, Registration Number PE-4683, on 8/28/19 and the original document is stored at the North Dakota Department of Transportation