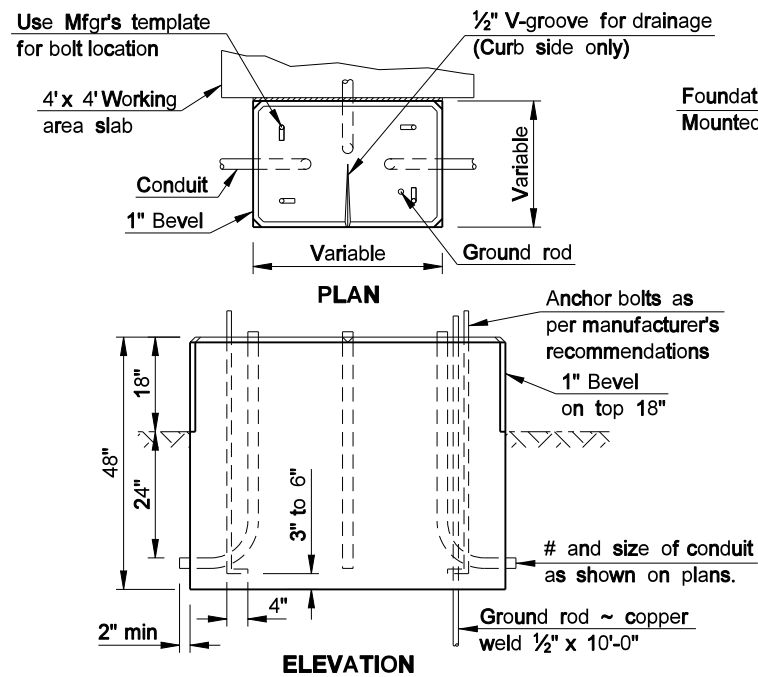
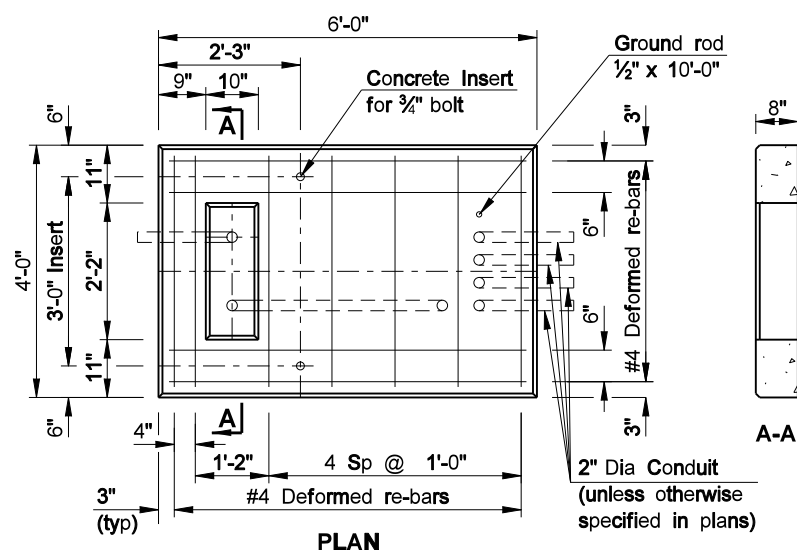


**CONCRETE FOUNDATIONS
(TRAFFIC SIGNALS & HIGHWAY LIGHTING)**



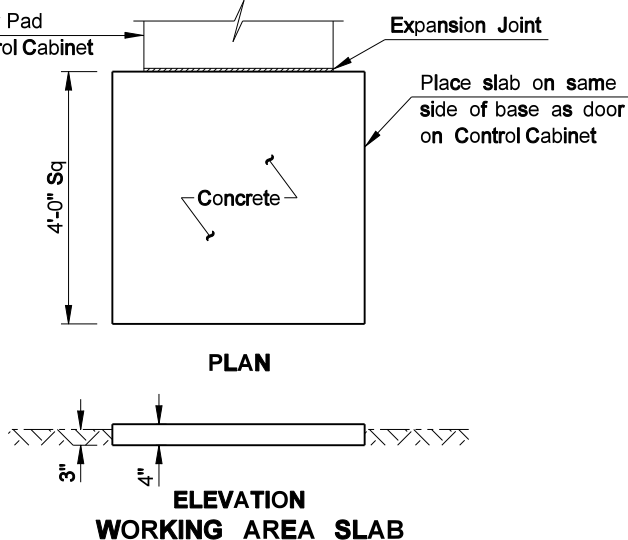
CONTROLLER CABINET FOUNDATION PAD MOUNT

The Controller Cabinet Foundation shall be bid as Concrete Foundation - Traffic Signals.

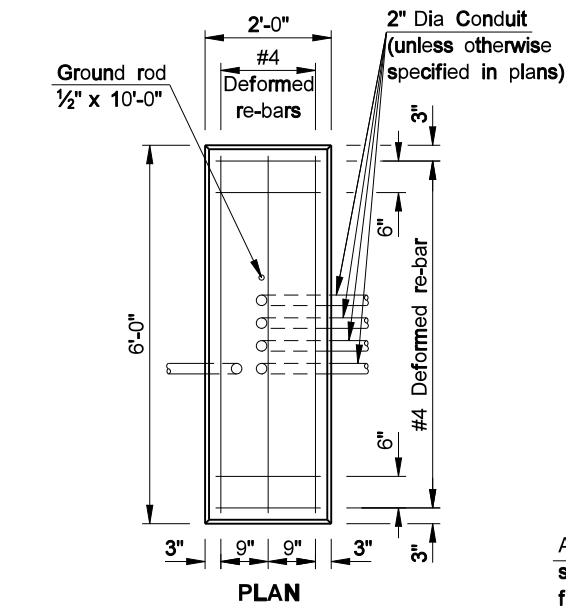


TRANSFORMER & FEED POINT CABINET FOUNDATION PAD MOUNT

The Transformer & Feed Point Cabinet Foundation Pad Mount shall be bid as Concrete Foundation ~ Feed Point ~ Type A.

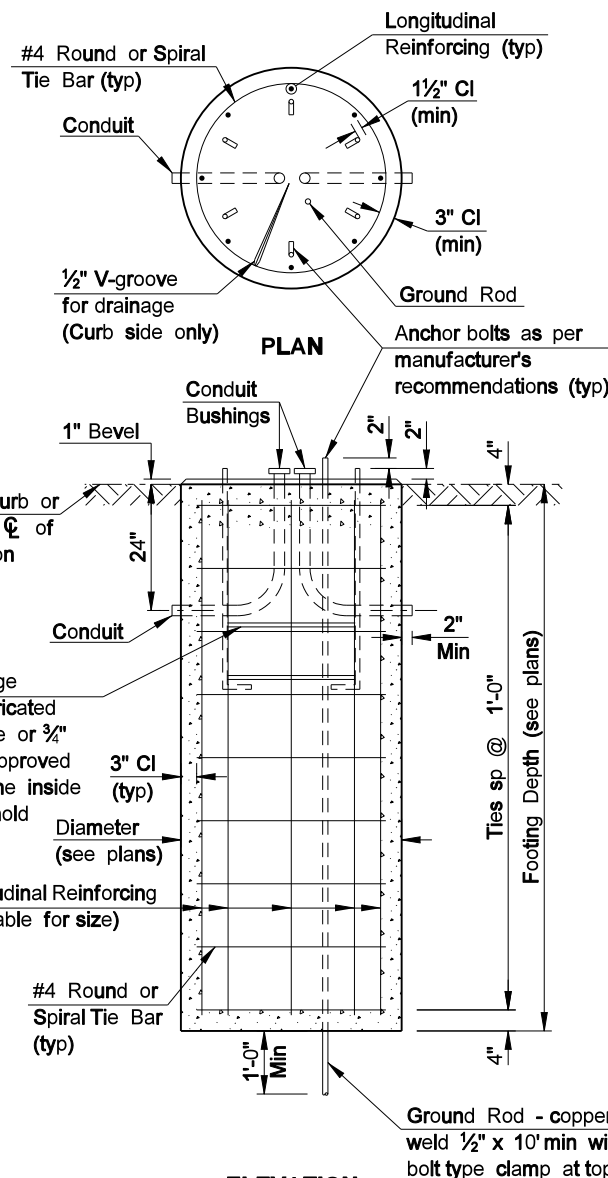
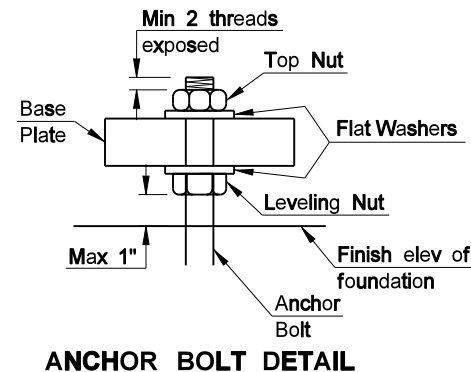


The Working Area Slab shall be installed where shown on the plans and shall not be bid separately but shall be included in the price bid for Concrete Foundation - Traffic Signals.



FEED POINT CABINET FOUNDATION PAD MOUNT

The Feed Point Cabinet Foundation Pad Mount shall be bid as Concrete Foundation ~ Feed Point ~ Type B.



LIGHT & SIGNAL STANDARD FOUNDATION

NOTES:

LIGHT & SIGNAL STANDARD FOUNDATIONS:
 See plans for conduit size, number of bends and correct position for each foundation. When conduit does not continue beyond the foundation, conduit with a 105° bend and bushings on both ends may be substituted for the 90° bends shown. See plans for correct size & location of foundations. The grade and exact location shall be established by the Engineer in the field. All reinforcing shall be Grade 60. Tie bars shall have a minimum of a 12" lap. Reinforcing may be omitted for Type I, II, V, VI & VII signal standard foundations if the anchor bolts extend to within 3" to 6" above the bottom of the foundation. A minimum of 6 anchor bolts shall be used for cantilevered structures.

CONTROLLER CABINET FOUNDATION PAD MOUNT FOUNDATION: See plans for the number of 90° bends per foundation and correct positioning. The foundation for Pad Mounted Controller Cabinet shall be of sufficient size so that there is a minimum of 3" of clearance from the outside edge of cabinet to the outside edge of the foundation on any side. The contractor shall ensure a water-tight seal between the controller cabinet and the foundation by caulking, except for V-groove.

WORKING AREA SLAB: The materials and preparation of this slab shall be as approved by the Engineer in the field.

TRANSFORMER & FEED POINT CABINET FOUNDATION PAD MOUNTED: The foundation shall have a wood float finish. All conduits shown shall be installed. Conduit that is not used at this time shall be plugged with an expandable plug.

FEED POINT CABINET FOUNDATION PAD MOUNTED: The foundation shall have a wood float finish. All conduits shown shall be installed. Conduit that is not used at this time shall be plugged with an expandable plug.

LIGHT & SIGNAL FOUNDATION TABLE	
FOOTING DEPTH (ft)	LONGITUDINAL REINFORCING
≤ 12	8 - #5
13 - 14	8 - #6
15 - 16	8 - #7
17 - 19	8 - #8

NORTH DAKOTA DEPARTMENT OF TRANSPORTATION	
6-15-10	
REVISIONS	
DATE	CHANGE

This document was originally issued and sealed by Terrence R. Udland
 Registration Number PE- 2674 ,
 on 6/15/10 and the original document is stored at the North Dakota Department of Transportation