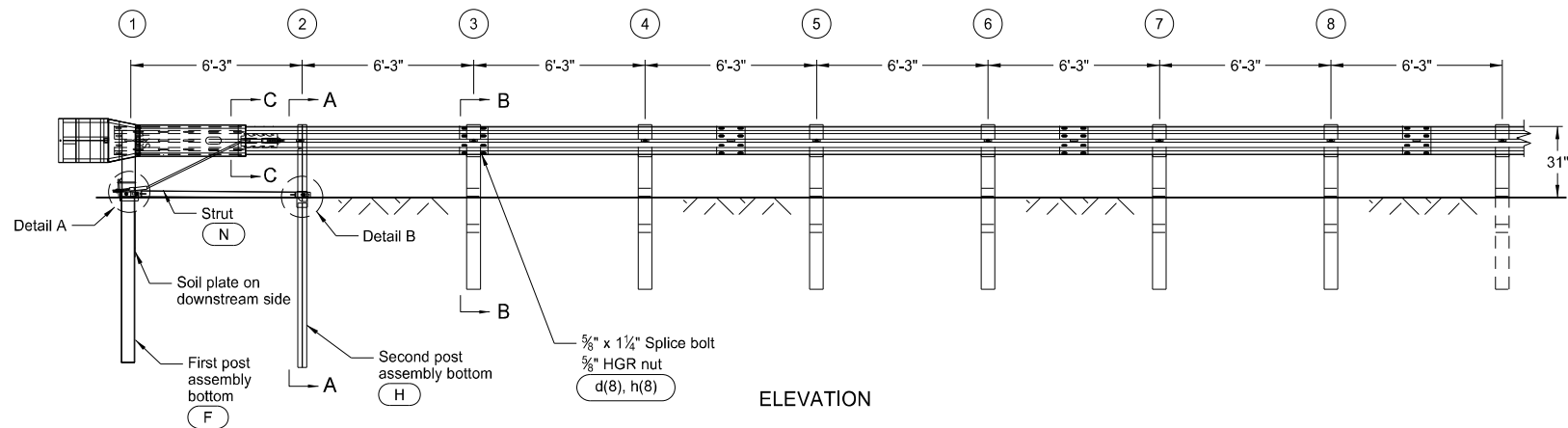
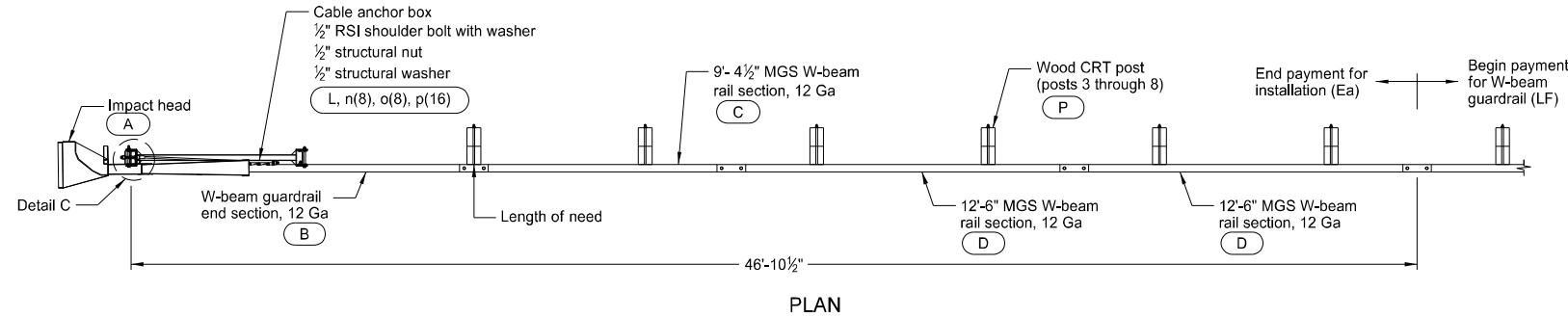


MASH SEQUENTIAL KINKING TERMINAL - WOOD POST

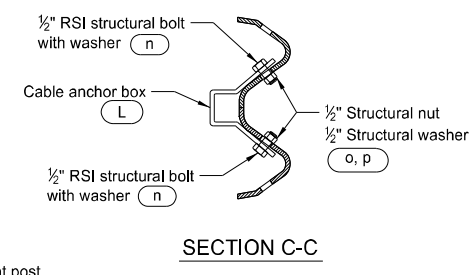
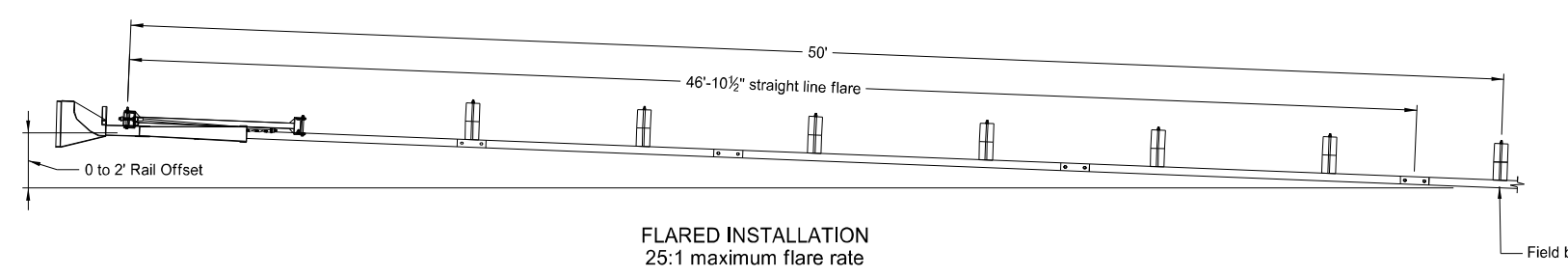
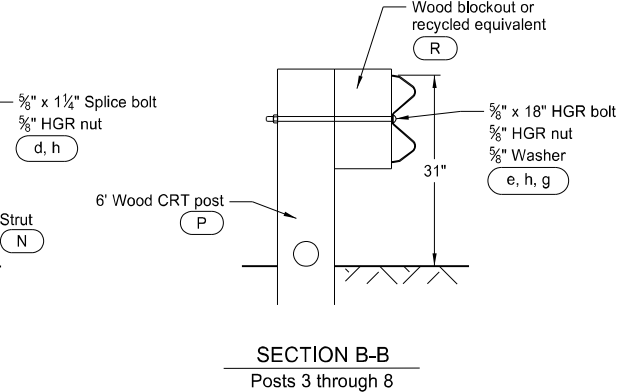
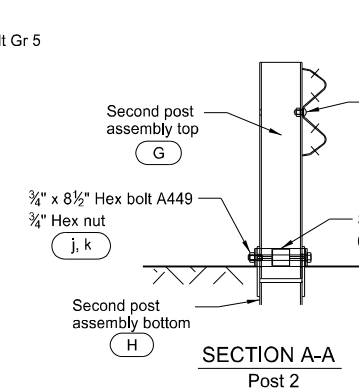
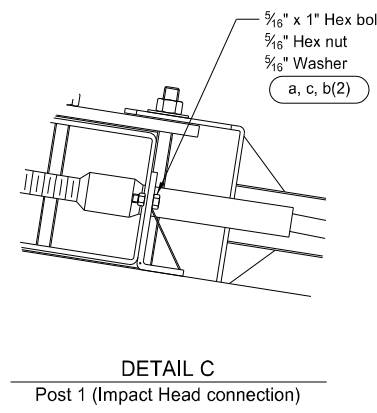
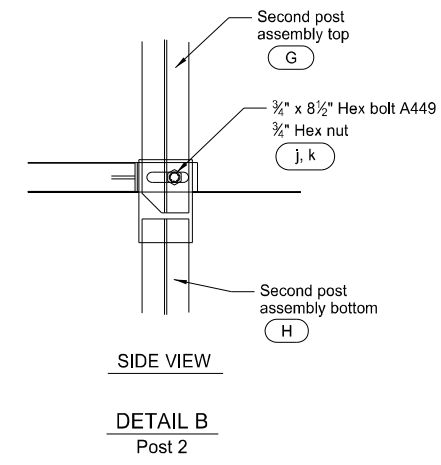
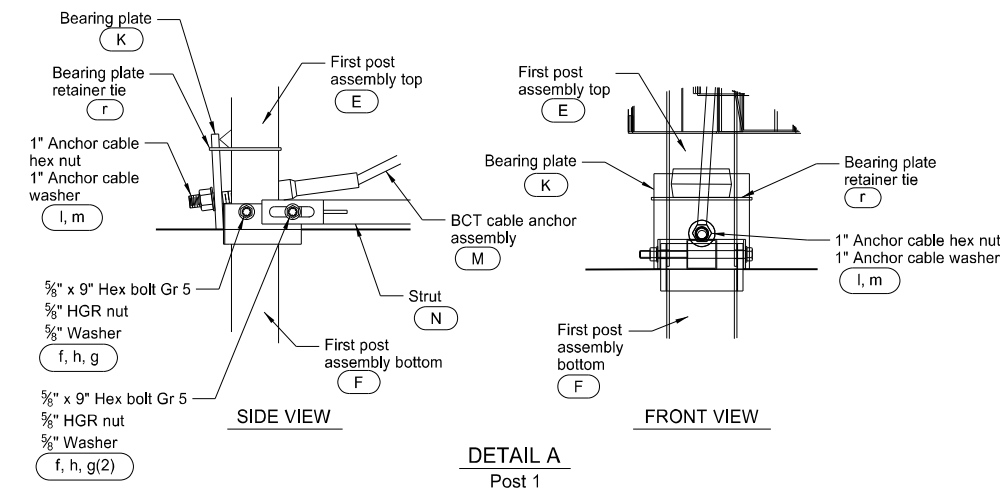
D-764-51



GENERAL NOTES:

- Galvanize all bolts, nuts, cable assemblies, cable anchors, and bearing plates.
- Flare the MSKT at a rate of up to 25:1, as needed to prevent the impact head from encroaching on the shoulder.
- Site grade as necessary to ensure the lower sections of posts do not protrude more than 4" above the ground (measured along a 5' cord).
- Install the lower section of the hinged posts without the upper post attached. If the post is placed in a drilled hole, compact the backfill material to prevent settlement.
- Install breakaway cable assembly taut. Use a locking device (vice grips or channel lock pliers) to prevent the cable from twisting when tightening nuts.
- "Toe nail" the wood blockouts to the rectangular wood posts at post 3 through post 8 with two 20 penny galvanized nails to prevent them from turning when the wood warps.

ITEM	ITEM NO.	BILL OF MATERIALS	QTY
A	MS3000	IMPACT HEAD	1
B	SF1303	W-BEAM GUARDRAIL END SECTION, 12 Ga	1
C	G12025	9'-4 1/2" MGS W-BEAM RAIL SECTION, 12 Ga	1
D	G1203A	12'-6" MGS W-BEAM RAIL SECTION, 12 Ga	2
E	MTPHP1A	FIRST POST ASSEMBLY TOP (6" X 6" X 1/2" Tube)	1
F	MTPHP1B	FIRST POST ASSEMBLY BOTTOM (6" W6X15)	1
G	UHP2A	SECOND POST ASSEMBLY TOP	1
H	HP2B	SECOND POST ASSEMBLY BOTTOM	1
K	E750	BEARING PLATE	1
L	S760	CABLE ANCHOR BOX	1
M	E770	BCT CABLE ANCHOR ASSEMBLY	1
N	MS785	STRUT	1
P	UP671	6" WOOD CRT POST	6
R	P675	WOOD BLOCKOUT OR RECYCLED EQUIVALENT	6
HARDWARE			
a	B5160104A	5/16" x 1" HEX BOLT GR 5	2
b	W0516	5/16" WASHER	4
c	N0516	5/16" HEX NUT	2
d	B580122	5/8" Dia x 1 1/4" SPLICE BOLT	33
e	B581802	5/8" Dia x 18" HGR BOLT (POSTS 3 THRU 8)	6
f	B580904A	5/8" x 9" HEX BOLT GR 5	2
g	W050	5/8" WASHER	9
h	N050	5/8" Dia HGR NUT	35
j	B340854A	3/4" Dia x 8 1/2" HEX BOLT GRD A449	1
k	N030	3/4" Dia HEX NUT	1
l	N100	1" ANCHOR CABLE HEX NUT	2
m	W100	1" ANCHOR CABLE WASHER	2
n	SB12A	1/2" RSI SHOULDER BOLT WITH WASHER	8
o	N012A	1/2" STRUCTURAL NUT	8
p	W012A	1/2" STRUCTURAL WASHER	8
r	CT-100ST	BEARING PLATE RETAINER TIE	1



NORTH DAKOTA DEPARTMENT OF TRANSPORTATION	
7-14-17	
REVISIONS	
DATE	CHANGE
12-02-20	Updated notes to active voice.

KIRK J. HOFF
 REGISTERED PROFESSIONAL ENGINEER
 PE-4683
 NORTH DAKOTA
 12 02 2020