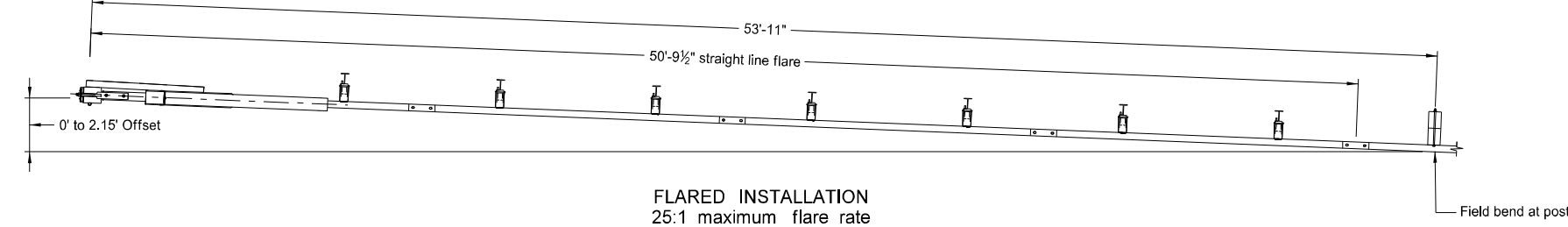
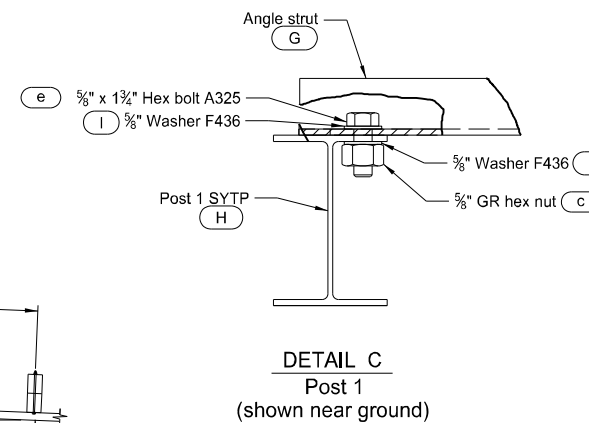
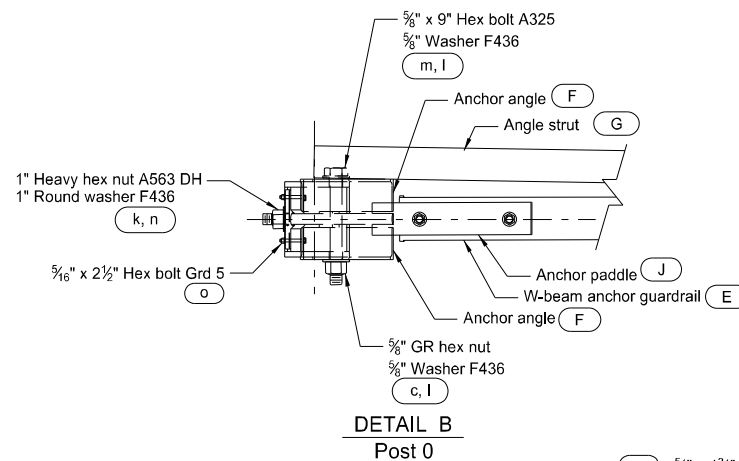
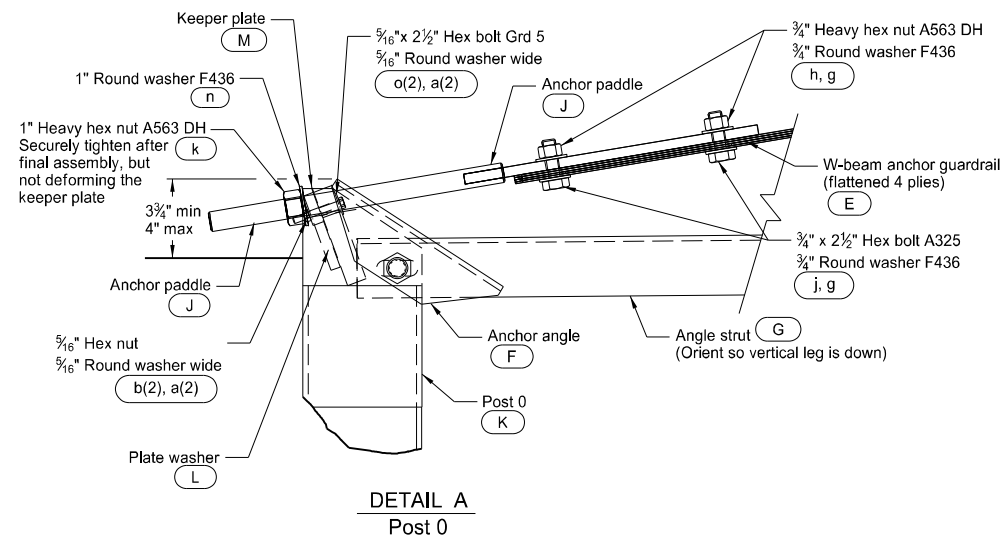
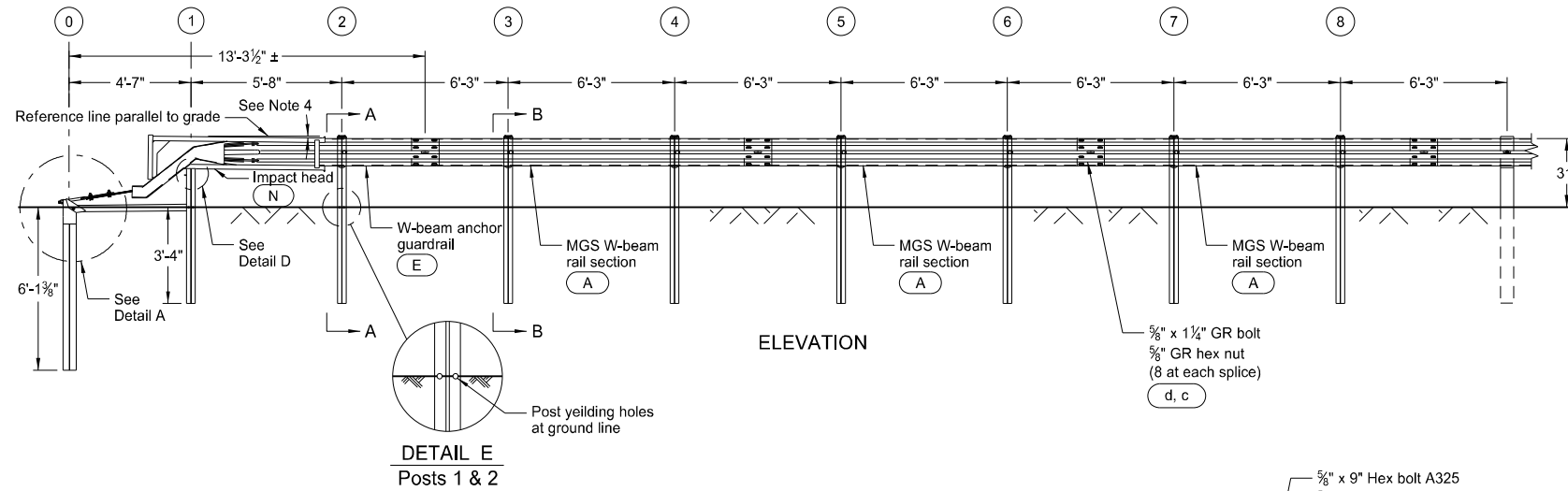
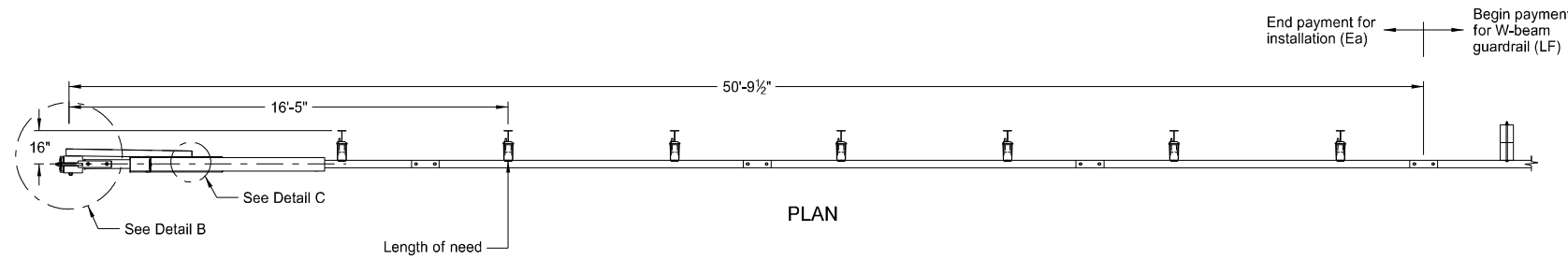
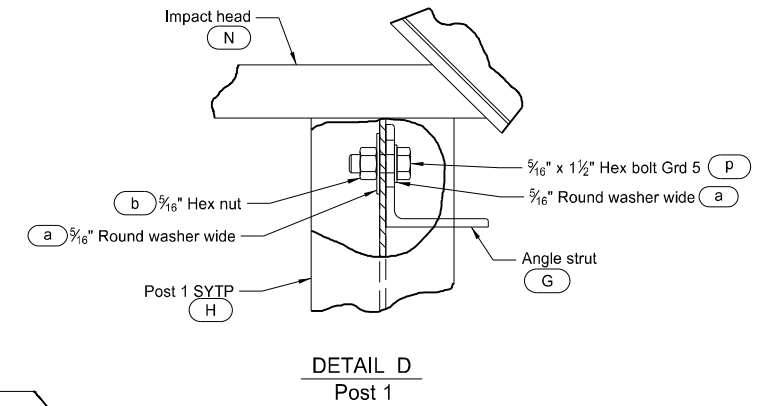
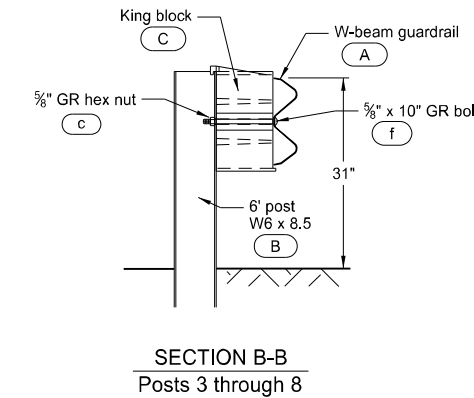
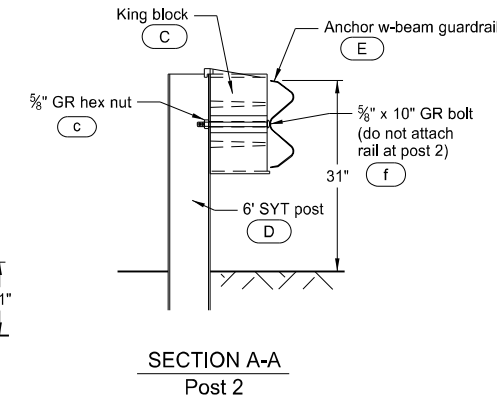


MASH SOFTSTOP END TERMINAL - STEEL POST

D-764-50



- GENERAL NOTES:
- Galvanize all bolts, nuts, cable assemblies, cable anchors, and bearing plates.
 - Flare the SoftStop at a rate of 25:1 or flatter.
 - Do not curve the guardrail within the SoftStop under any circumstances.
 - If necessary, install the SoftStop impact head parallel to the grade line or with an upward tilt. See softstop assembly manual for specific details.



ITEM	ITEM NO.	BILL OF MATERIALS	QTY
A	000011	12 / 12'-6" / 3'-1 1/2" / S MGS W-BEAM RAIL SECTION	3
B	000533	6'-0" STEEL POST W6 x 8.5	6
C	006777	KING BLOCK 4" X 7 1/2" X 1'-2"	7
D	015000	6'-0" SYT POST / 8.5 / 31" GR HT	1
E	015200	SFST - ANCHOR GUARDRAIL 12'-6"	1
F	015201	SFST - ANCHOR ANGLE	2
G	015202	SFST - ANGLE STRUT	1
H	015203	SFST - POST #1 SYTP	1
J	015204	SFST - ANCHOR PADDLE	1
K	015205	SFST - POST #0	1
L	015206	SFST - PLATE WASHER	1
M	015207	SFST - KEEPER PLATE	1
N	015208	SFST - IMPACT HEAD	1

HARDWARE			
a	003240	5/16" ROUND WASHER WIDE	6
b	003245	5/16" HEX NUT	3
c	003340	5/8" GR HEX NUT	41
d	003360	5/8" x 1 1/4" GR BOLT	32
e	003391	5/8" x 1 1/4" HEX BOLT A325	1
f	003500	5/8" x 10" GR BOLT A307	7
g	003701	3/4" ROUND WASHER F436	4
h	003704	3/4" HVY HEX NUT A563 DH	2
j	003717	3/4" x 2 1/2" HEX BOLT A325	2
k	003908	1" HVY HEX NUT A563 DH	1
l	004372	5/8" WASHER F436	4
m	004489	5/8" x 9" HEX BOLT A325	1
n	004902	1" ROUND WASHER F436	1
o	105285	5/16" x 2 1/2" HEX BOLT GRD 5	2
p	105286	5/16" x 1 1/2" HEX BOLT GRD 5	1

NORTH DAKOTA DEPARTMENT OF TRANSPORTATION 7-14-17	
REVISIONS	
DATE	CHANGE
12-02-20	Updated notes to active voice.

