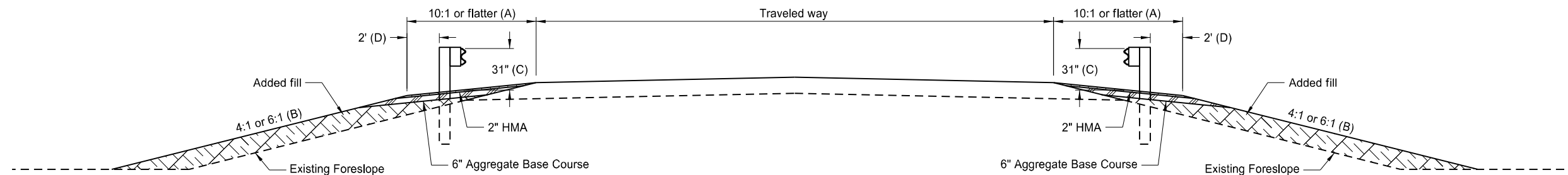
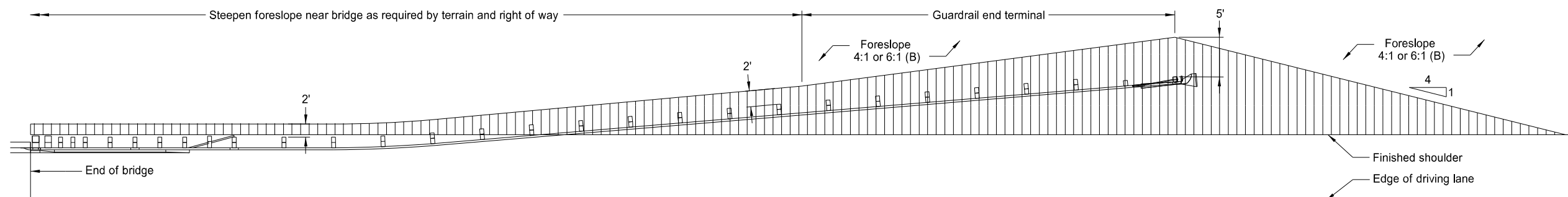


TYPICAL GRADING AT BRIDGE ENDS
WITH MGS W-BEAM GUARDRAIL

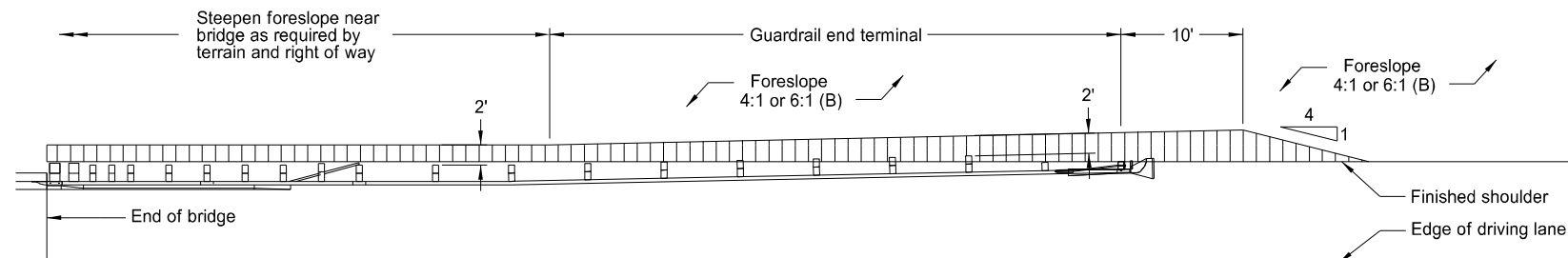
D-764-48



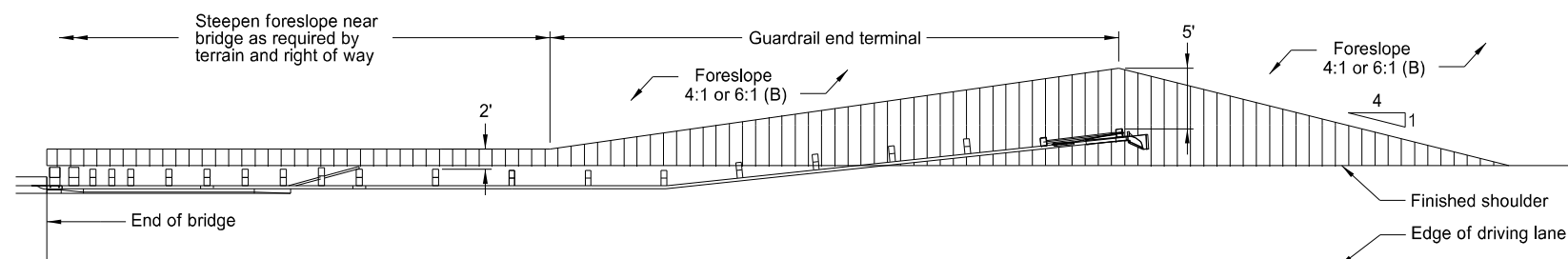
TYPICAL SECTION



PLAN LAYOUT
FLARED GUARDRAIL WITH END TERMINAL



PLAN LAYOUT
NON-FLARED GUARDRAIL WITH TANGENT END TERMINAL

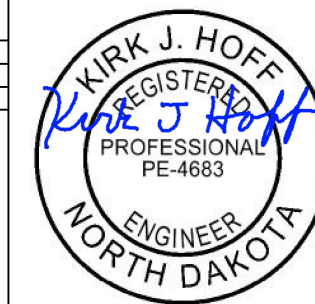


PLAN LAYOUT
NON-FLARED GUARDRAIL WITH FLARED END TERMINAL

NOTES:

- (A) Use slope flatter than 10:1 when required to provide proper guardrail height.
- (B) When normal foreslope is 4:1, use added fill slope of 4:1. When normal foreslope is 6:1, use added fill slope of 6:1.
- (C) Measure from top of guardrail to top of surfacing at front face of guardrail.
- (D) Vary dimension at end terminals per Plan Layouts shown on this sheet.

NORTH DAKOTA DEPARTMENT OF TRANSPORTATION	
7-14-17	
REVISIONS	
DATE	CHANGE
12/02/20	Updated notes to active voice.



12 02 2020