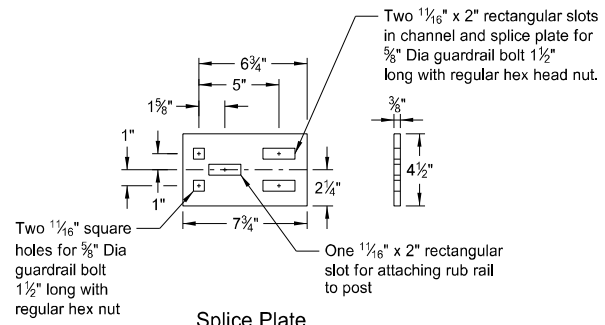


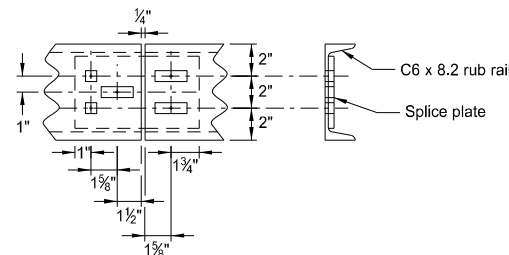
MGS W-BEAM GUARDRAIL GENERAL DETAILS

NOTES:

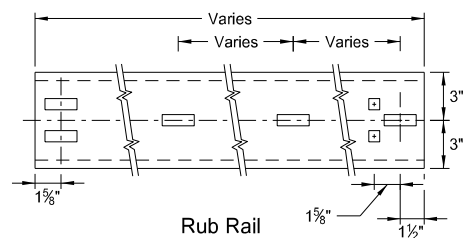
1. Begin reflector plates at the first post and space at 25' centers on guardrail less than 250' length and at 50' centers for guardrail over 250' length. Provide the reflector the same color as the pavement marking adjacent to it unless noted otherwise on the plans.
2. Replacing bituminous material at guardrail post: Dispose all excess earth from excavations for guard posts as directed by the engineer. Replace bituminous material wherever guardrail is installed after mat has been laid. Cost of excavation and replacing of bituminous material to be included in the price bid for other items.
3. Fit the Object Marker within the vertical edges of the Impact Plate. Provide type XI retroreflective sheeting meeting the requirements of Section 894.02.E of the standard specifications. Apply the sheeting to 0.100 Aluminum sheeting meeting the requirements of Section 894.01.A. Attach the Object Marker to the Impact Head Plate with rivets or other attachment device. Ensure the rivets or attachment device are non-rust. Slope the stripes downward toward the roadway side.
4. Guardrail installation height tolerance = ±1".



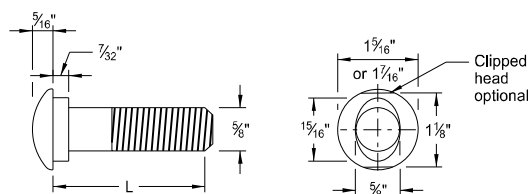
Splice Plate



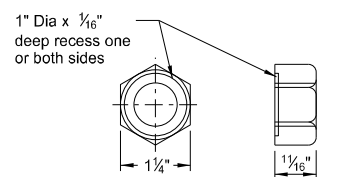
Splice Detail



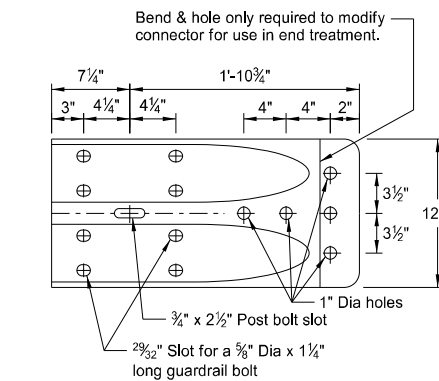
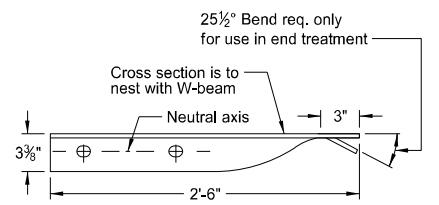
C6x8.2 RUB RAIL AND SPLICE PLATE



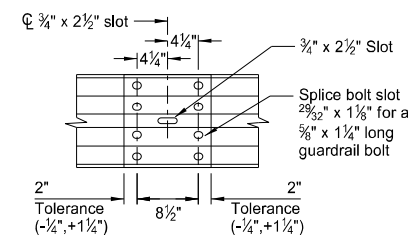
| 5/8" Diameter Guardrail Bolt | |
|------------------------------|--------------------------|
| L | Thread Length |
| 1 1/4" | Full length thread |
| 2" | 1 3/4" Min thread length |
| 9 1/2" | 4" Min thread length |
| 18" | 4" Min thread length |
| 20" | 4" Min thread length |
| 22" | 4" Min thread length |
| 25" | 4" Min thread length |



5/8" GUARDRAIL BOLT & RECESS NUT

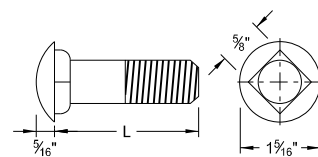


W BEAM TERMINAL CONNECTOR

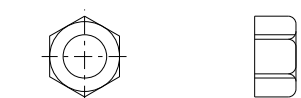


SPLICE DETAIL

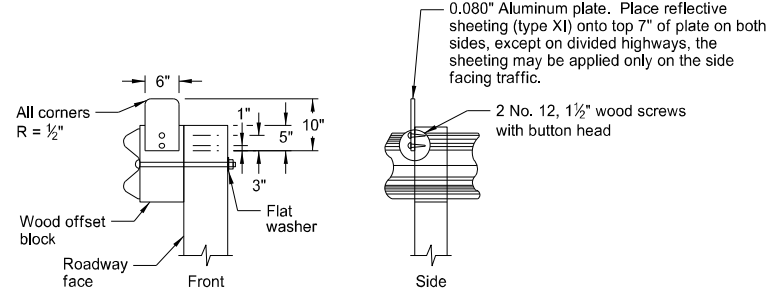
NOTE: Do not install center bolt in the 3/4" x 2 1/2" slot at mid span splices.



| 5/8" Diameter Carriage Bolt | |
|-----------------------------|--------------------------|
| L | Thread Length |
| 1 1/2" | Full length thread |
| 3" | 1 1/2" Min thread length |
| 11" | 1 3/4" Min thread length |
| 13" | 1 3/4" Min thread length |

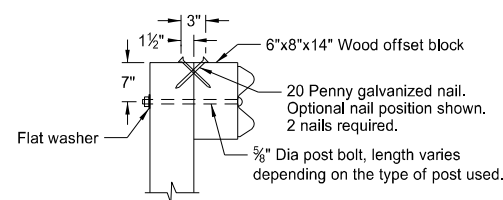


5/8" CARRIAGE BOLT & NUT

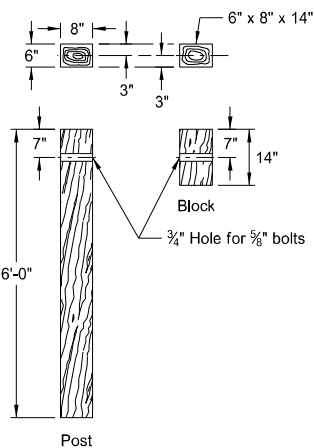


REFLECTORIZED PLATE DETAIL

NOTE: Additional reflectors are added to the W-beam guardrail quantities for placement on end treatment.

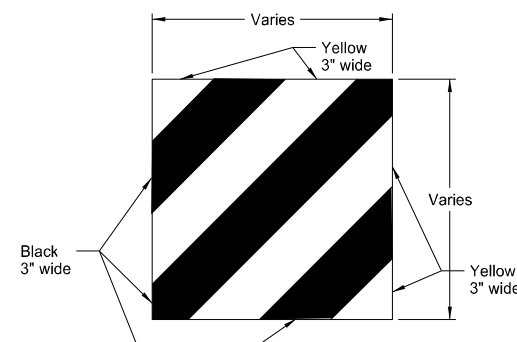


TYPICAL WOOD POST ATTACHMENT DETAIL

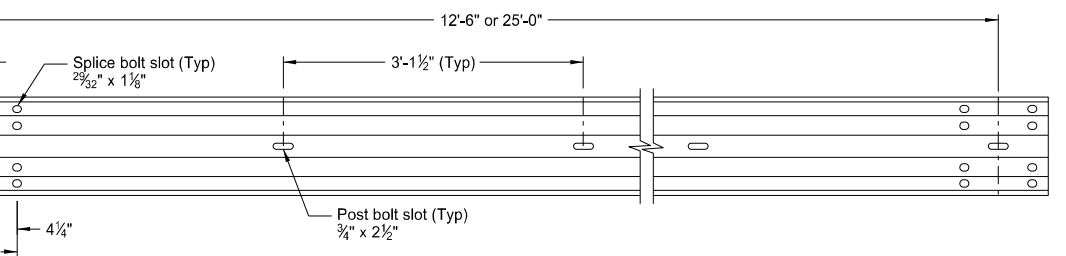


6" x 8" WOOD POST & BLOCK

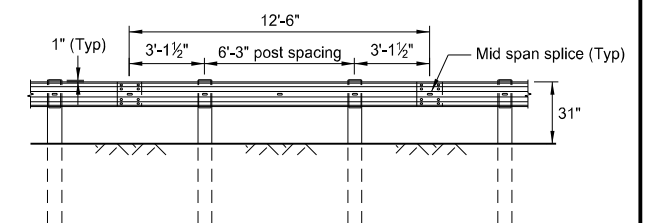
NOTE: Where soil conditions require, alternate lengths may be specified, in 6" increments.



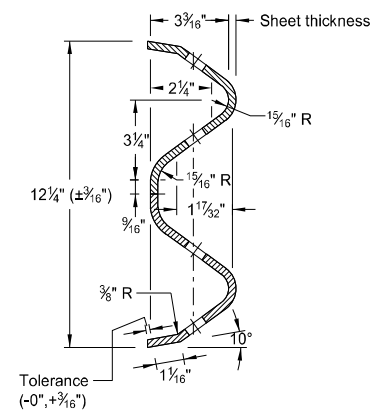
IMPACT HEAD OBJECT MARKER



STANDARD MGS GUARDRAIL PANEL



STANDARD MGS GUARDRAIL SYSTEM



W-BEAM CROSS SECTION

| | |
|---|----------------------------------|
| NORTH DAKOTA DEPARTMENT OF TRANSPORTATION | |
| 7-14-17 | |
| REVISIONS | |
| DATE | CHANGE |
| 12-02-20 | Updated clipped head to optional |

