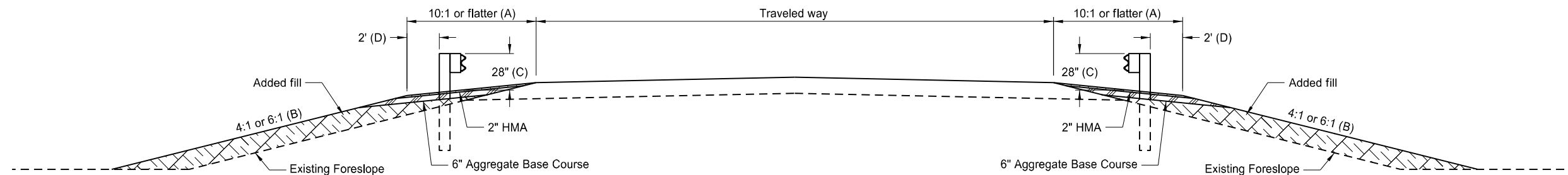
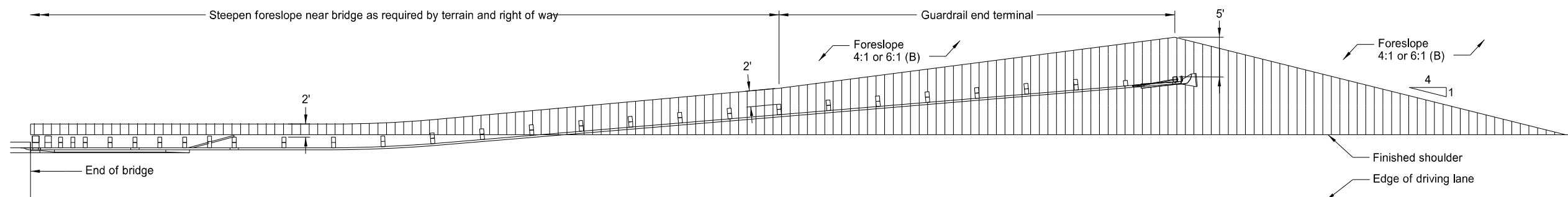


TYPICAL GRADING AT BRIDGE ENDS
WITH W-BEAM GUARDRAIL

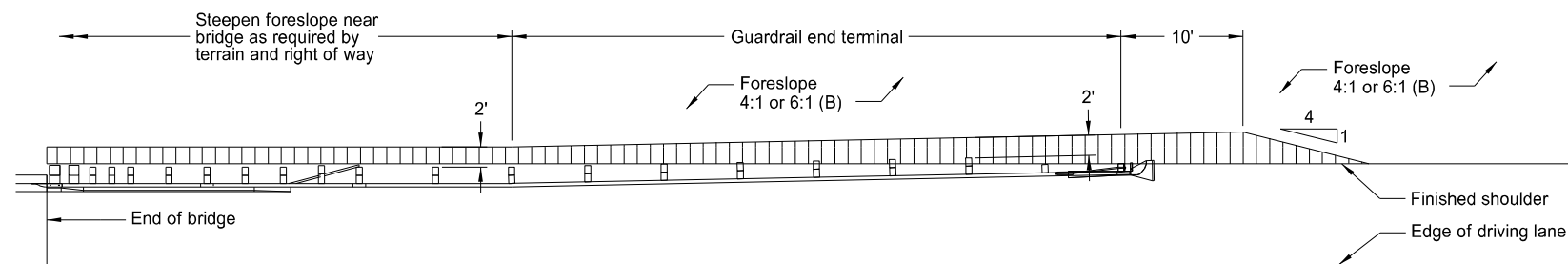
D-764-22



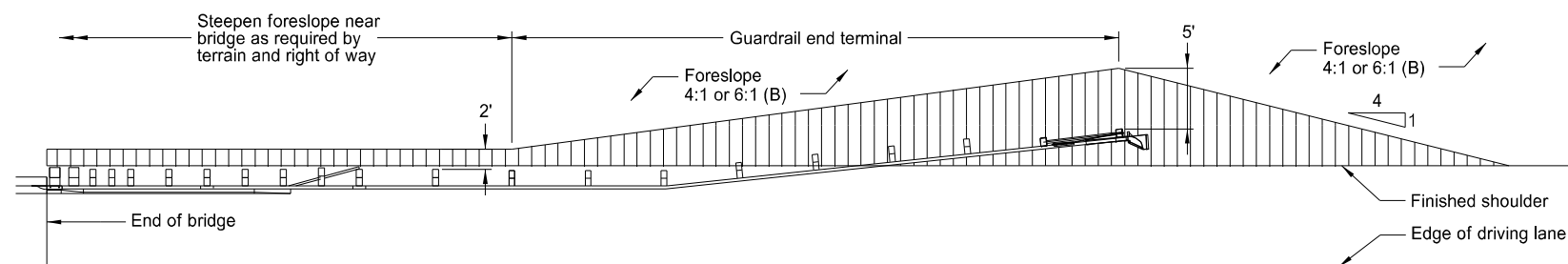
TYPICAL SECTION



PLAN LAYOUT
FLARED GUARDRAIL WITH END TERMINAL



PLAN LAYOUT
NON-FLARED GUARDRAIL WITH TANGENT END TERMINAL

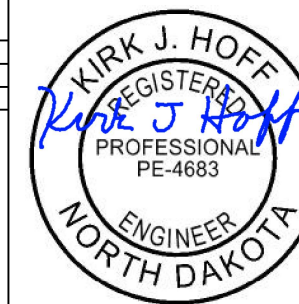


PLAN LAYOUT
NON-FLARED GUARDRAIL WITH FLARED END TERMINAL

NOTES:

- (A) Use slope flatter than 10:1 when necessary to provide proper guardrail height.
- (B) When normal foreslope is 4:1, use added fill slope of 4:1. When normal foreslope is 6:1, use added fill slope of 6:1.
- (C) Measure from top of guardrail to top of surfacing at front face of guardrail.
- (D) Dimension at end terminals vary per Plan Layouts shown on this sheet.

| | |
|--|--------------------------------|
| NORTH DAKOTA DEPARTMENT OF TRANSPORTATION | |
| 10-3-13 | |
| REVISIONS | |
| DATE | CHANGE |
| 12-02-20 | Updated notes to active voice. |



12 02 2020