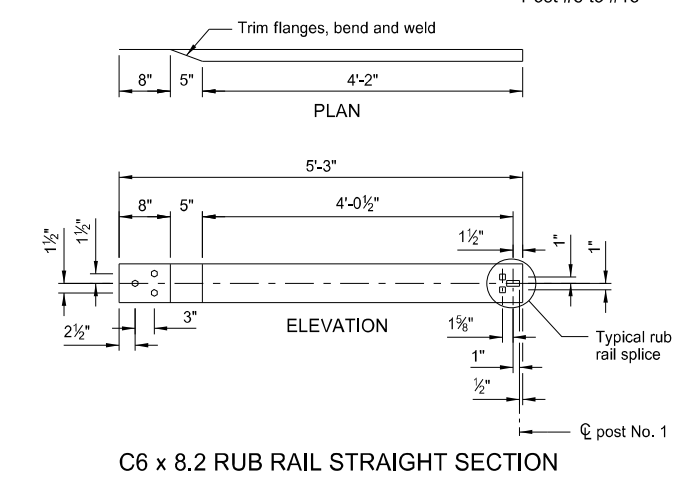
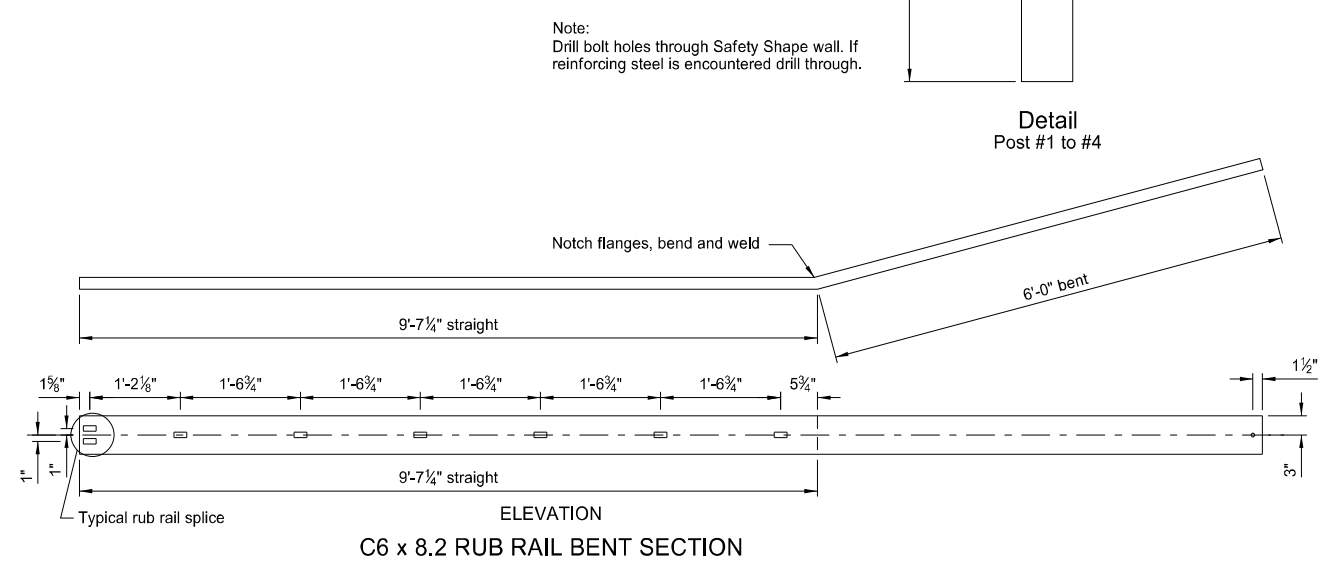
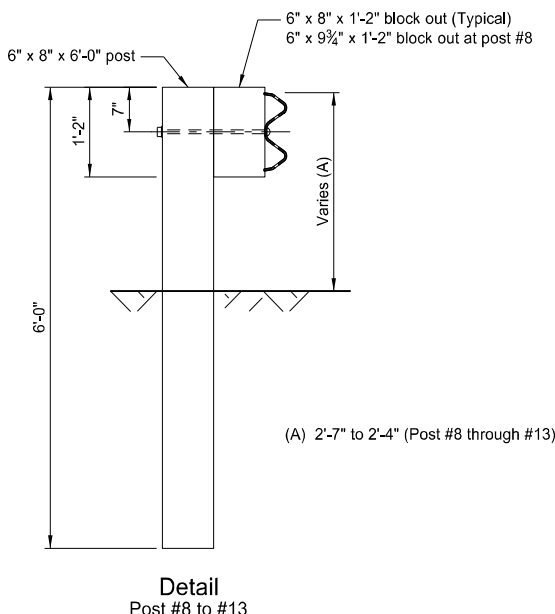
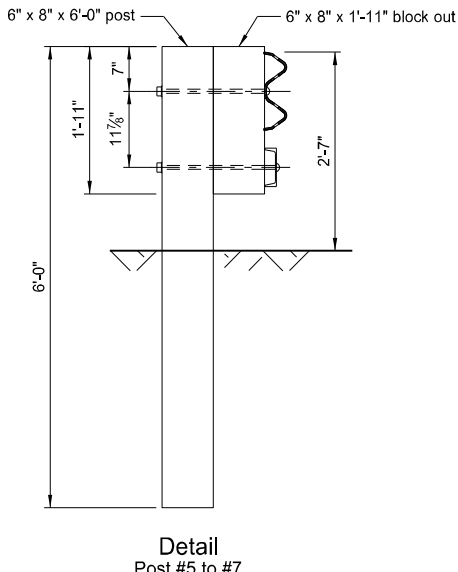
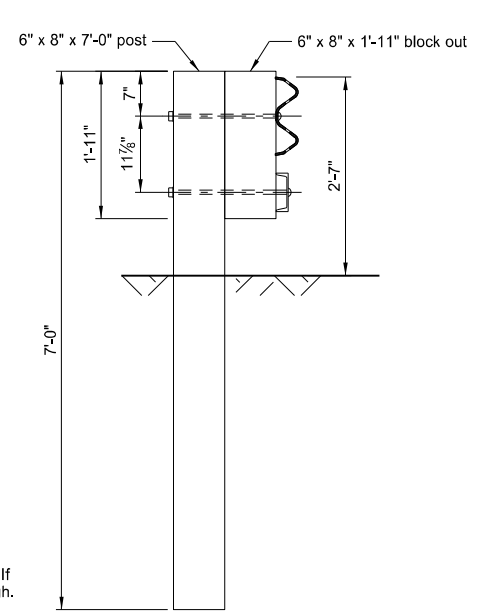
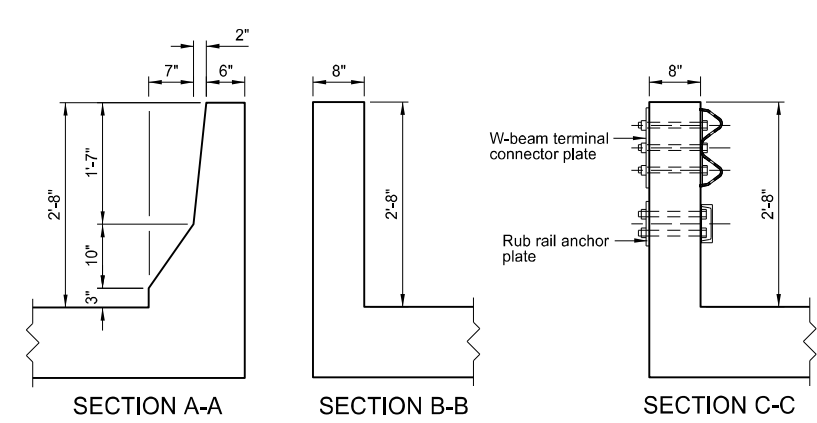
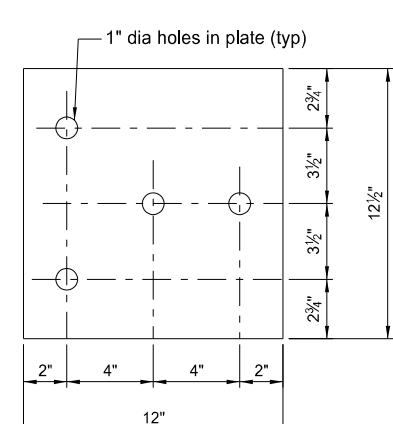
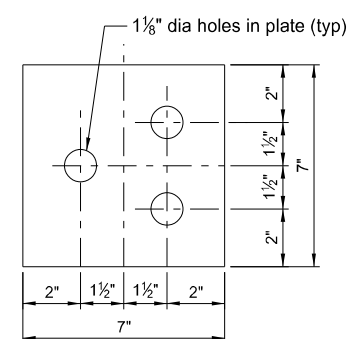
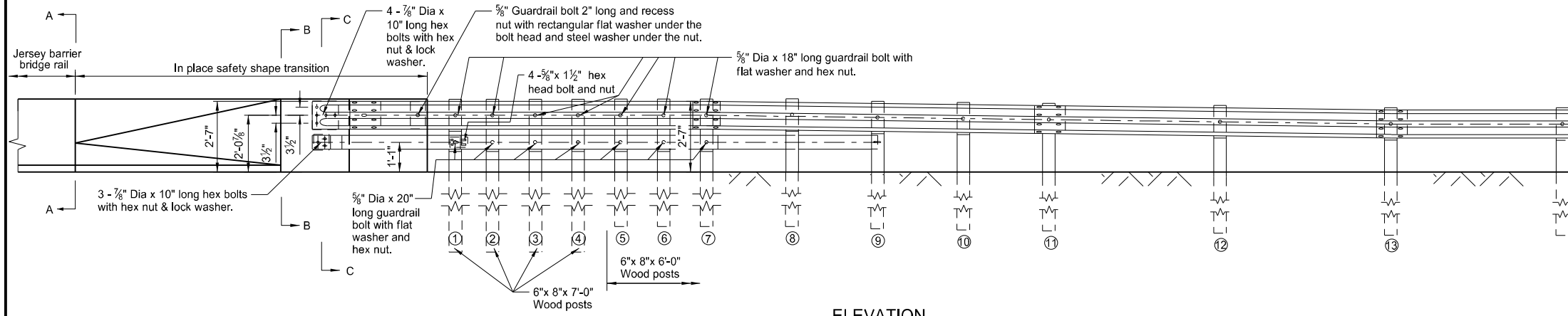
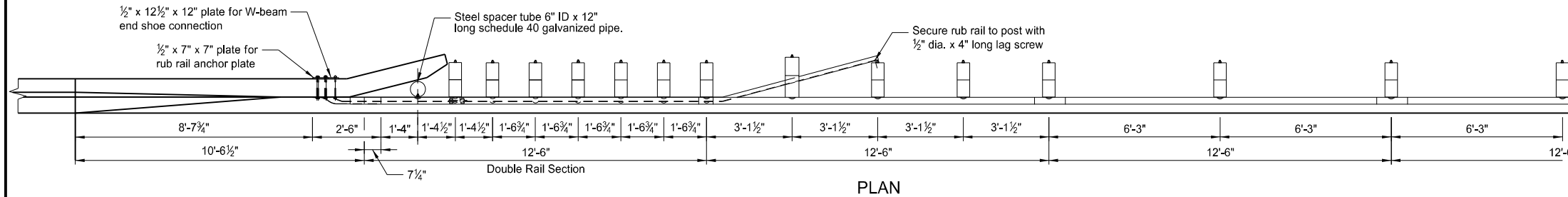


W-BEAM TRANSITION TO IN PLACE CONCRETE SAFETY SHAPE TRANSITION

D-764-11



NORTH DAKOTA DEPARTMENT OF TRANSPORTATION	
10-11-13	
REVISIONS	
DATE	CHANGE
12-02-20	Updated notes to active voice and corrected dimension.

KIRK J. HOFF
REGISTERED PROFESSIONAL ENGINEER
PE-4683
NORTH DAKOTA
12 02 2020