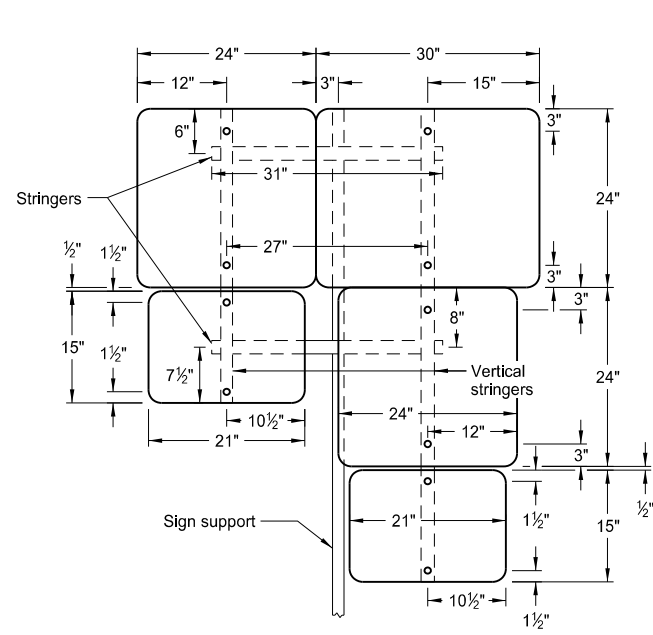
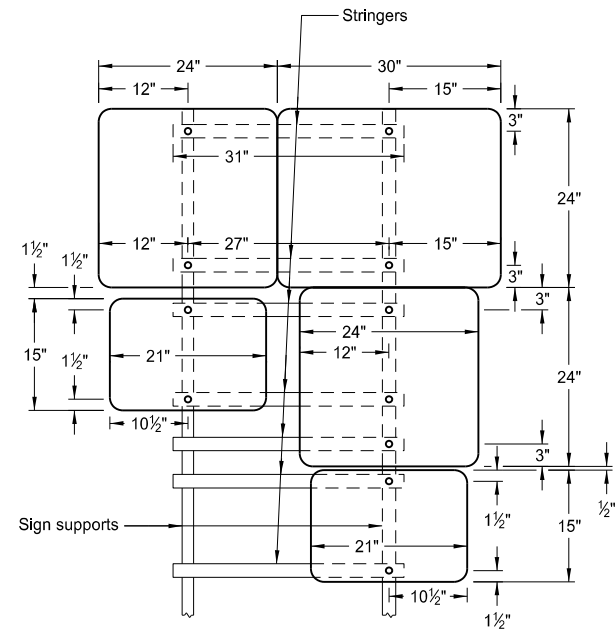


SIGN PUNCHING, STRINGER AND SUPPORT LOCATION DETAILS - ROUTE MARKER SIGNS

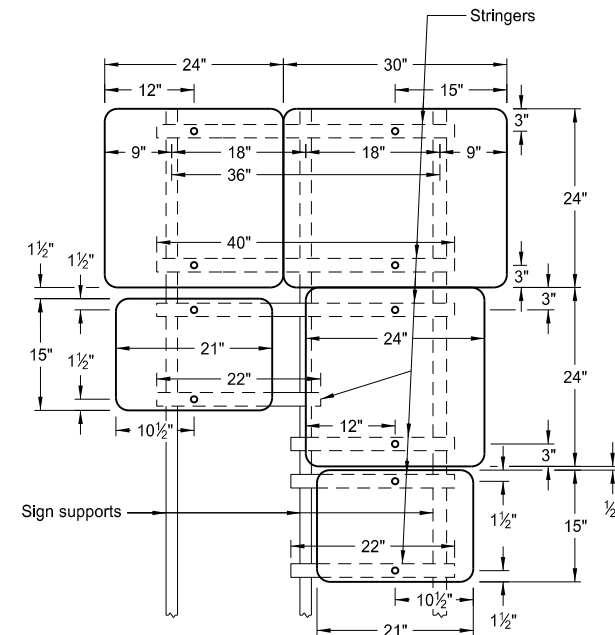
D-754-63



1 Post



2 Posts

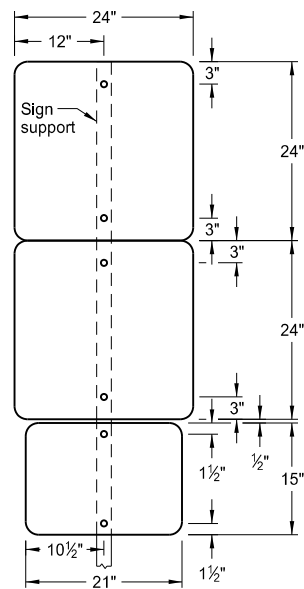


3 Posts

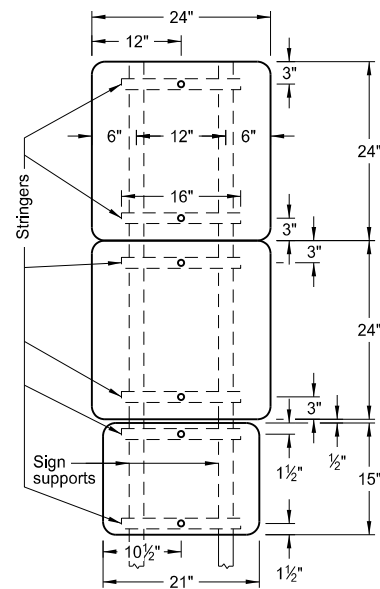
Notes:

1. Use 0.100 inch minimum thickness sign backing material.
2. Use 1½"x1½" perforated square tube stringer.
3. Punch holes round for ¾" bolt.

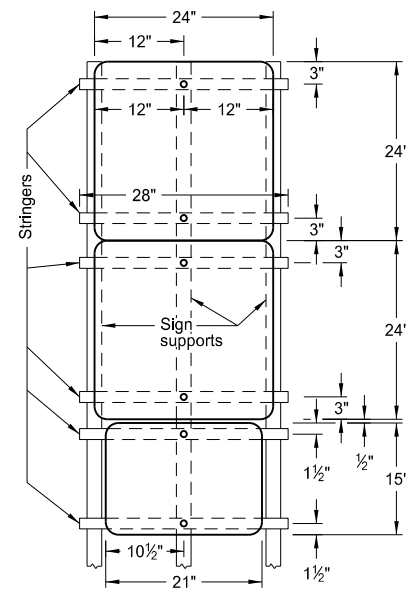
ASSEMBLY NO. 411



1 Post

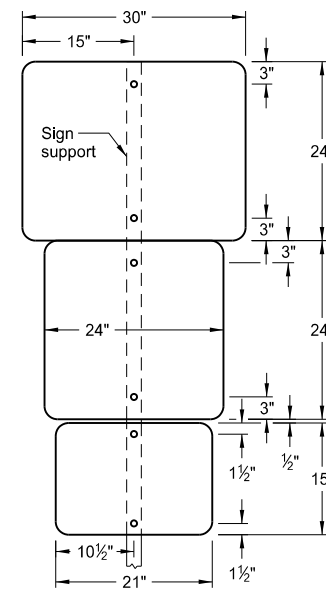


2 Posts

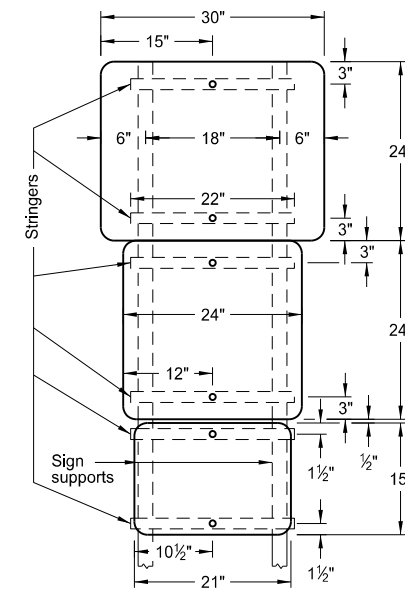


3 Posts

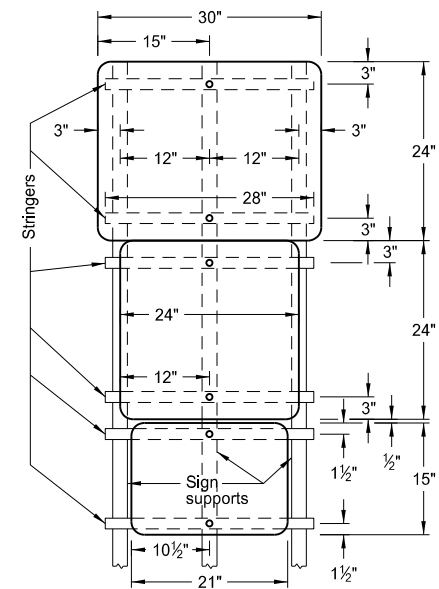
ASSEMBLY NO. 412



1 Post



2 Posts



3 Posts

ASSEMBLY NO. 413

NORTH DAKOTA DEPARTMENT OF TRANSPORTATION	
8-22-12	
REVISIONS	
DATE	CHANGE
8-30-18	Updated notes to active voice.
9-04-19	New Design Engineer PE Stamp.

This document was originally issued and sealed by
 Kirk J Hoff,
 Registration Number
 PE- 4683,
 on 9/04/19 and the original document is stored at the
 North Dakota Department
 of Transportation