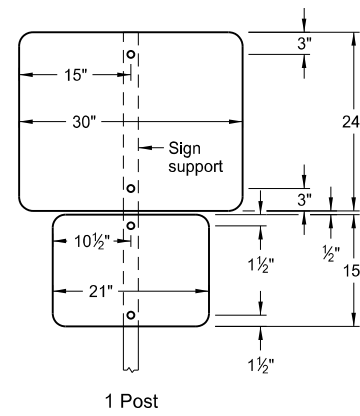
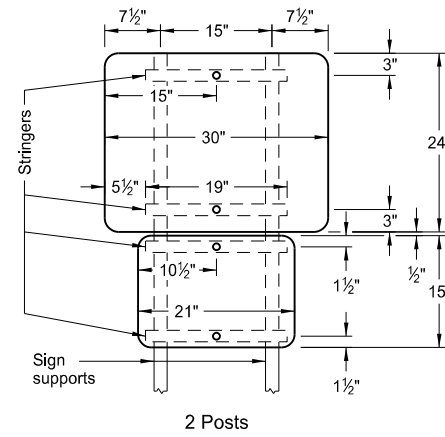


# SIGN PUNCHING, STRINGER AND SUPPORT LOCATION DETAILS - ROUTE MARKER SIGNS

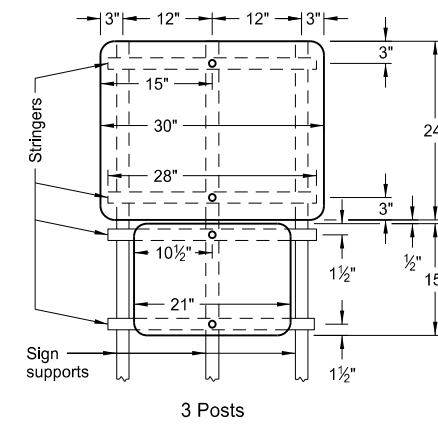
D-754-59



1 Post



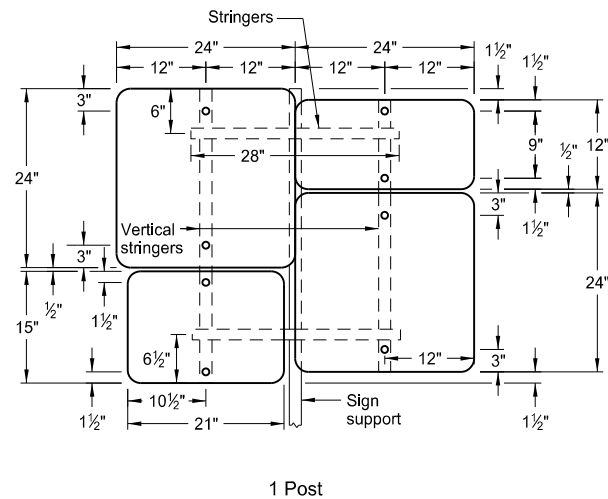
2 Posts



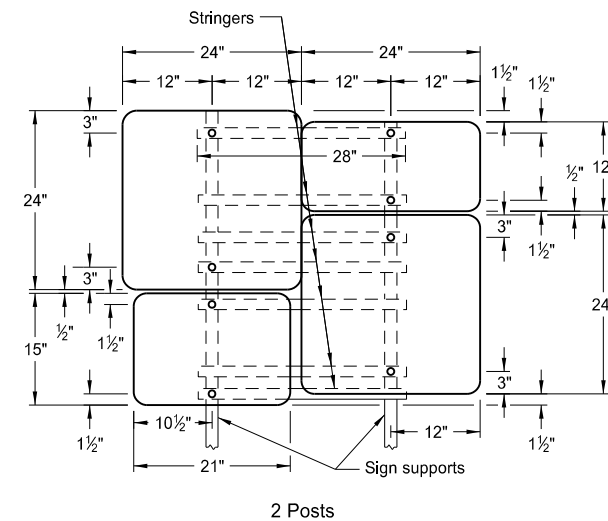
3 Posts

ASSEMBLY NO. 400

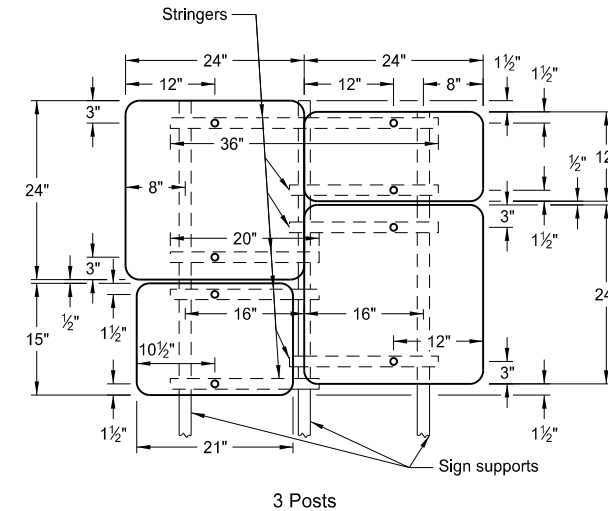
- Notes:
1. Use 0.100 inch minimum thickness sign backing material.
  2. Use 1 1/2"x1 1/2" perforated square tube stringers.
  3. Punch holes round for 3/8" bolt.



1 Post

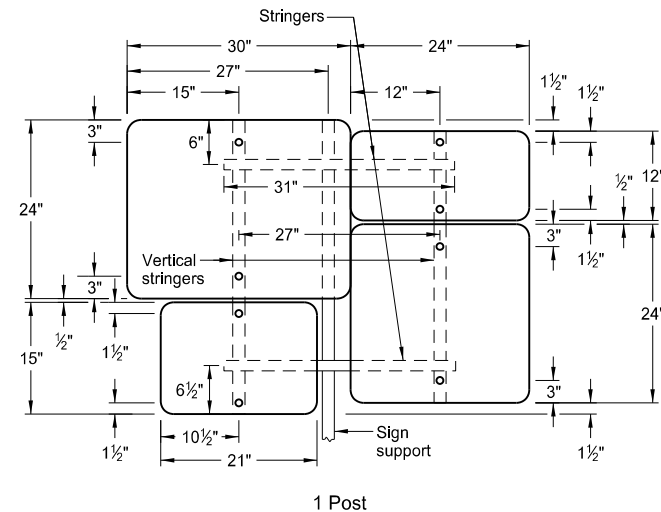


2 Posts

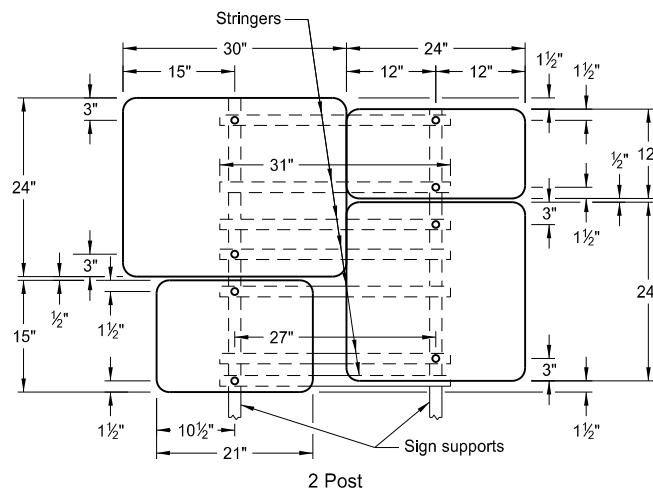


3 Posts

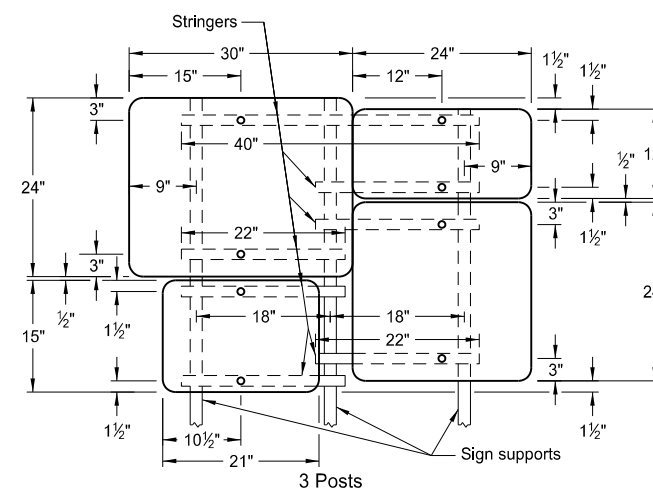
ASSEMBLY NO. 401



1 Post



2 Post



3 Posts

ASSEMBLY NO. 402

NORTH DAKOTA DEPARTMENT OF TRANSPORTATION	
8-22-12	
REVISIONS	
DATE	CHANGE
8-30-18	Updated notes to active voice.
9-04-19	New Design Engineer PE Stamp.

This document was originally issued and sealed by  
 Kirk J Hoff,  
 Registration Number  
 PE- 4683,  
 on 9/04/19 and the original document is stored at the  
 North Dakota Department  
 of Transportation