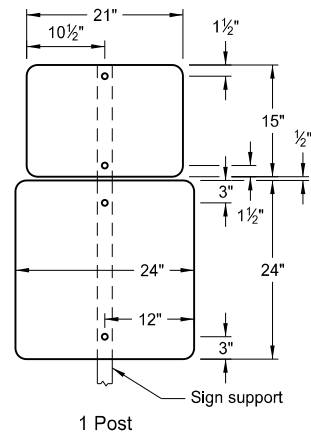


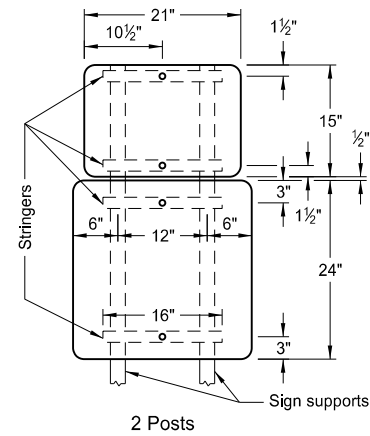
# SIGN PUNCHING, STRINGER AND SUPPORT LOCATION DETAILS - ROUTE MARKER SIGNS

**D-754-57**



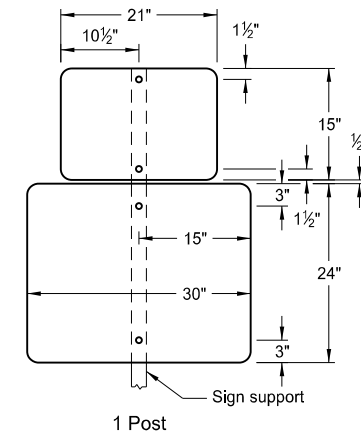
1 Post

**ASSEMBLY 391**



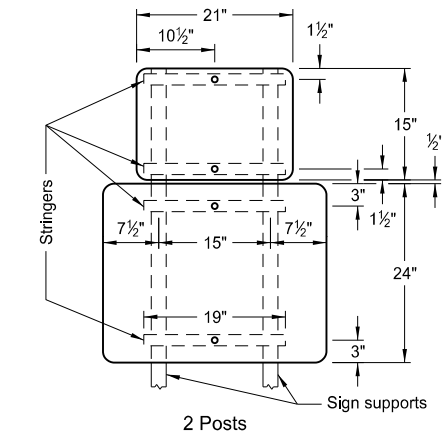
2 Posts

**ASSEMBLY 392**

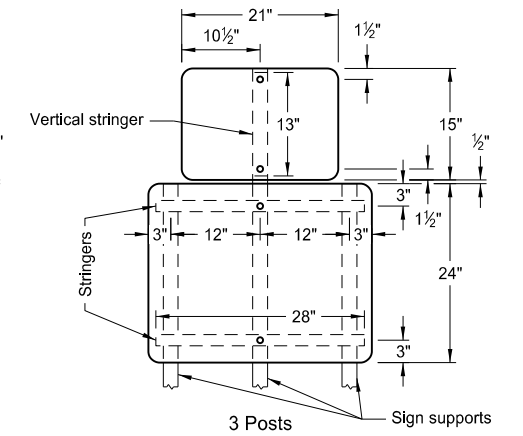


1 Post

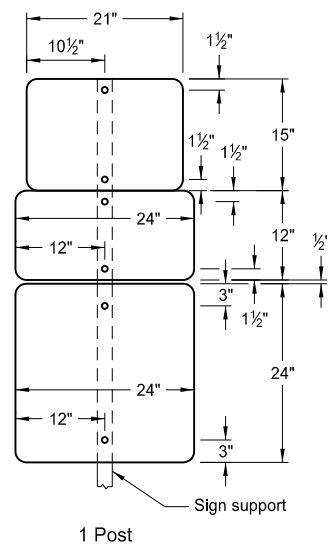
**ASSEMBLY 393**



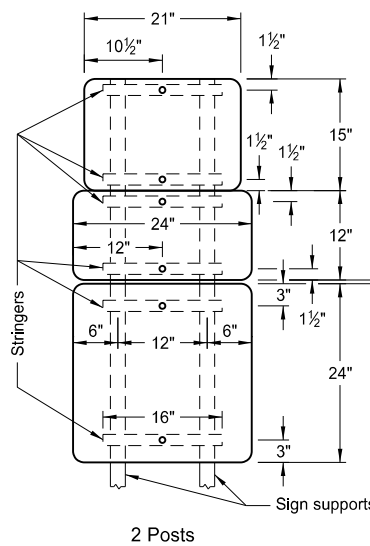
2 Posts



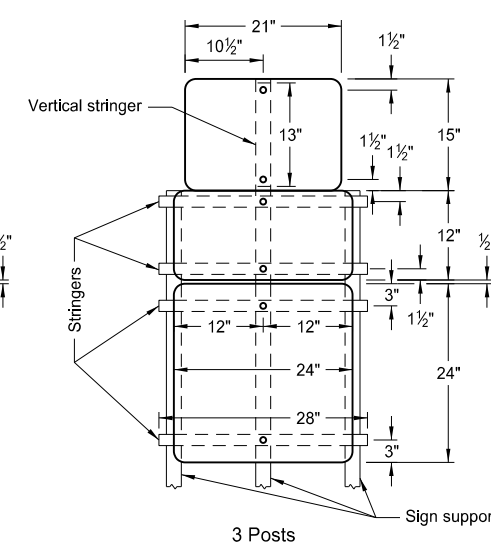
3 Posts



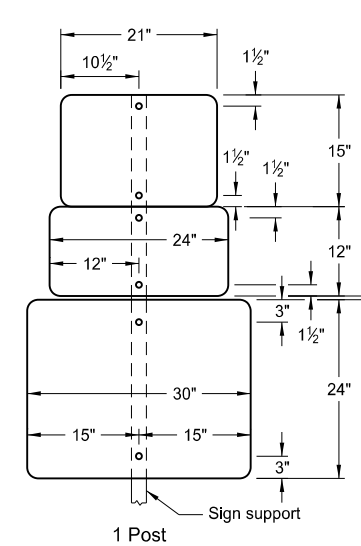
1 Post



2 Posts

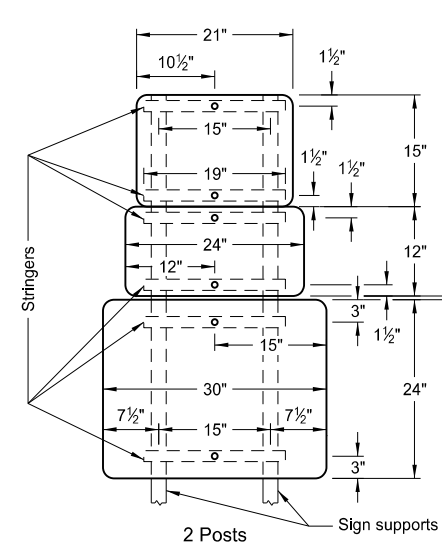


3 Posts

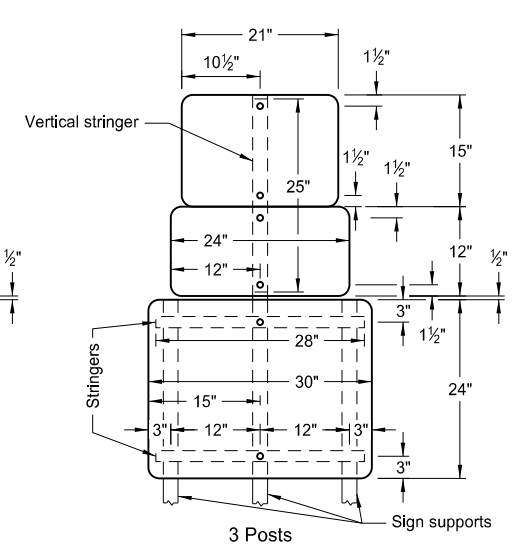


1 Post

**ASSEMBLY 399**



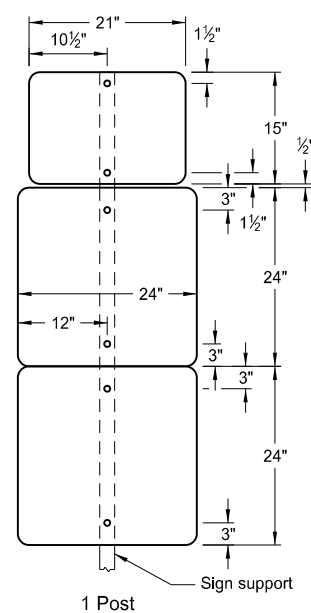
2 Posts



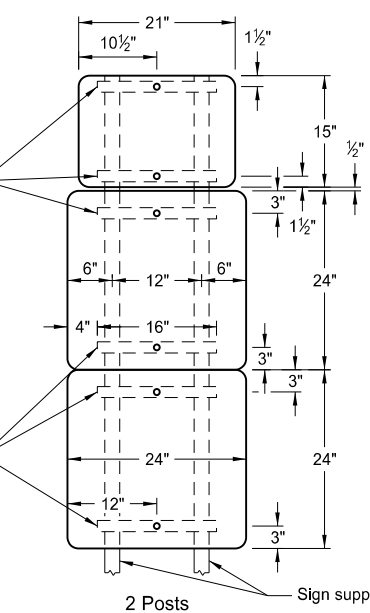
3 Posts

**ASSEMBLY 396**

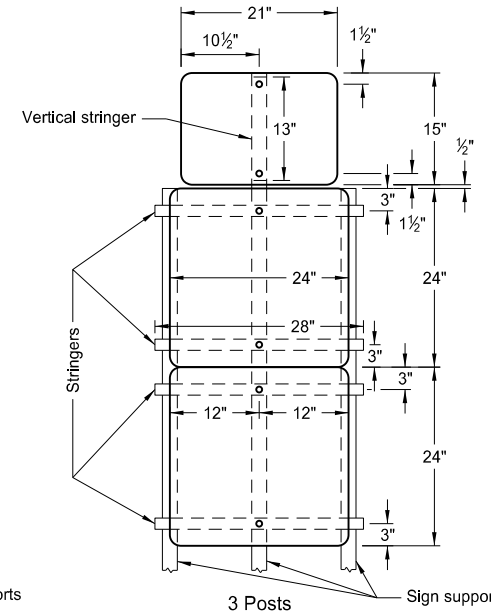
**ASSEMBLY 400**



1 Post



2 Posts



3 Posts

**ASSEMBLY 403**

- Notes:
1. Use 0.100 inch minimum thickness sign backing material.
  2. Use 1 1/2"x1 1/2" perforated square tube stringers.
  3. Punch holes round for 3/8" bolt.

NORTH DAKOTA DEPARTMENT OF TRANSPORTATION	
8-22-12	
REVISIONS	
DATE	CHANGE
8-30-18	Updated to active voice & added dimension to Assembly 393 & 394.
9-04-19	New Design Engineer PE Stamp.

This document was originally issued and sealed by  
 Kirk J Hoff,  
 Registration Number  
 PE- 4683,  
 on 9/04/19 and the original document is stored at the  
 North Dakota Department  
 of Transportation