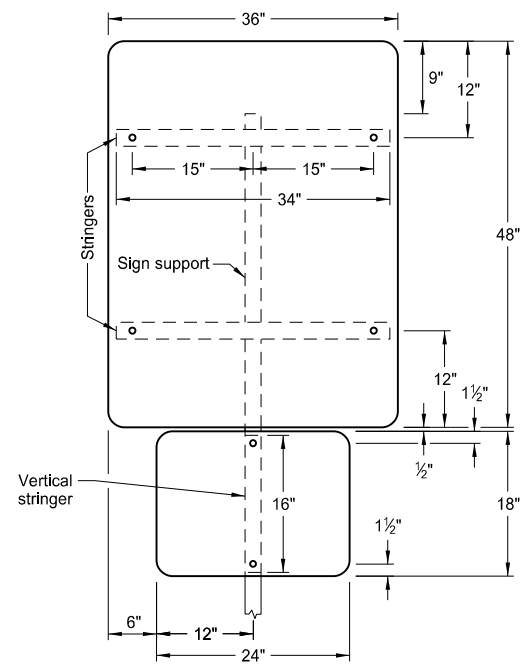


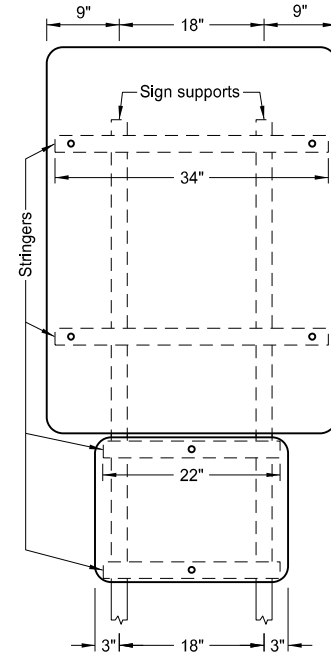
SIGN PUNCHING, STRINGER AND SUPPORT LOCATION DETAILS  
REGULATORY, WARNING AND GUIDE SIGNS

Notes:

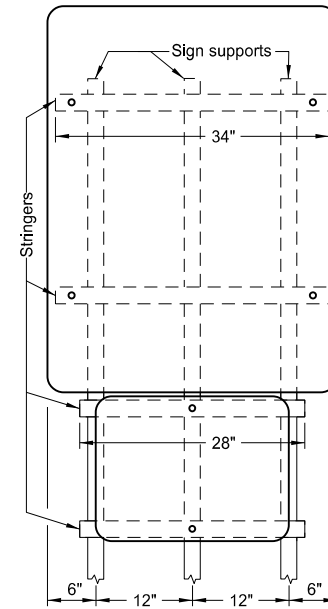
1. Use 0.100 inch minimum thickness sign backing material.
2. Use 1½"x1½" perforated square tube stringers.
3. Punch holes round for ⅜" bolt.



1 Post

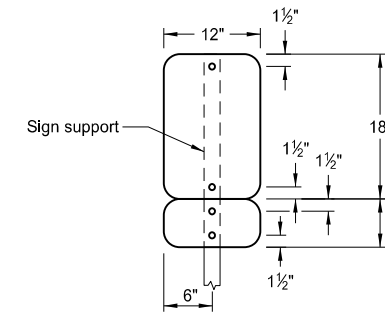


2 Posts



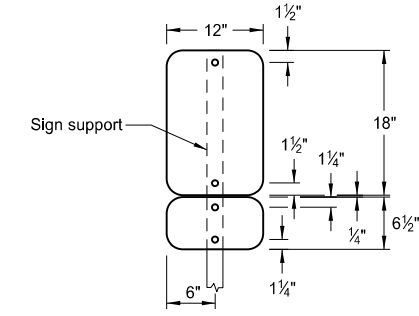
3 Posts

Assembly No. 47



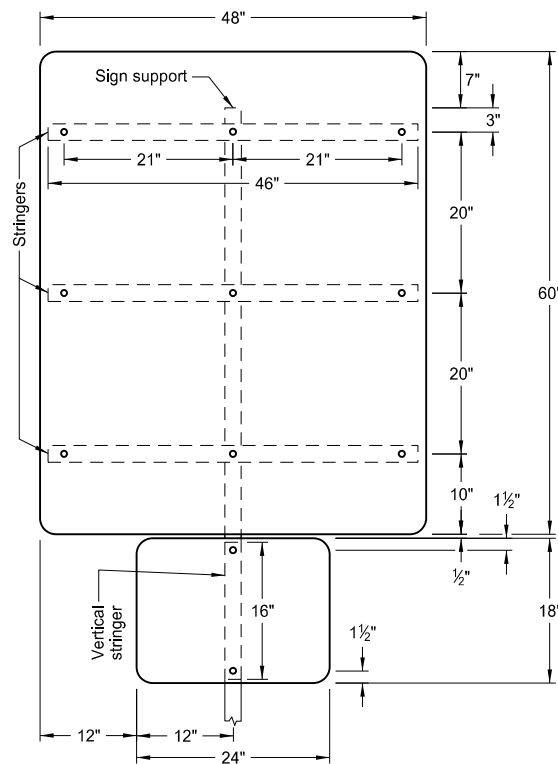
1 Post

Assembly No. 49

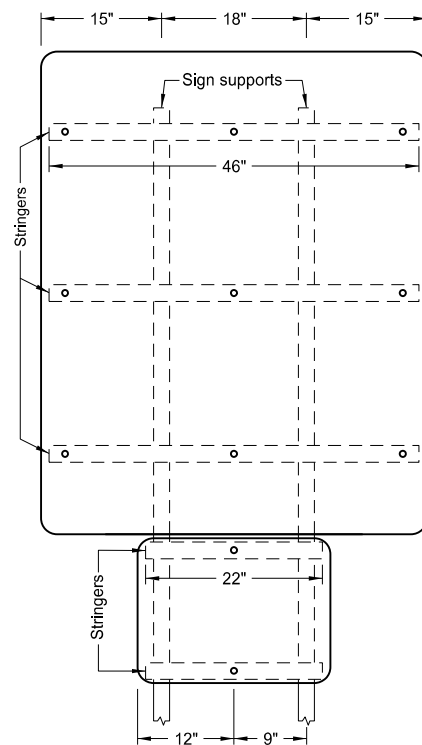


1 Post

Assembly No. 50

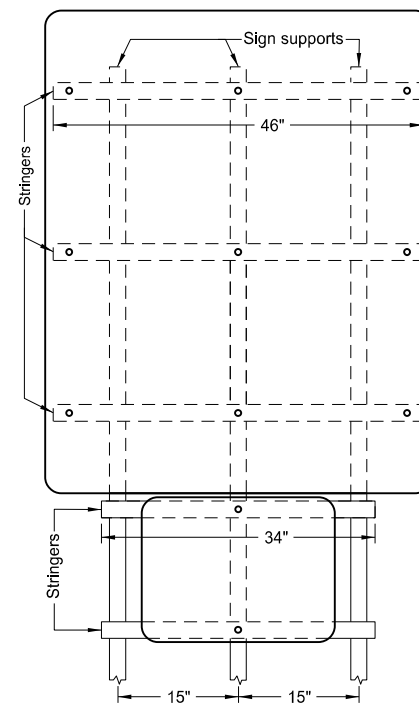


1 Post

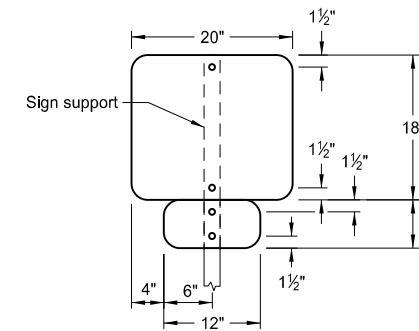


2 Posts

Assembly No. 48

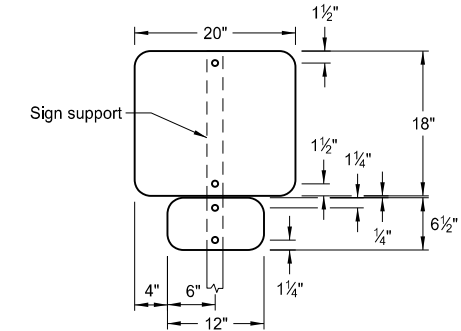


3 Posts



1 Post

Assembly No. 51



1 Post

Assembly No. 52

NORTH DAKOTA DEPARTMENT OF TRANSPORTATION	
8-22-12	
REVISIONS	
DATE	CHANGE
8-30-18	Updated to active voice & changed Assemblies 49 & 51 sign spacing.
8-30-19	New Design Engineer PE Stamp.

This document was originally issued and sealed by  
Kirk J Hoff,  
Registration Number  
PE- 4683,  
on 8/30/19 and the original document is stored at the North Dakota Department of Transportation