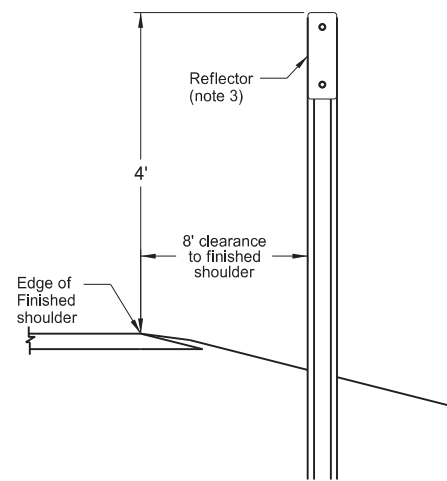
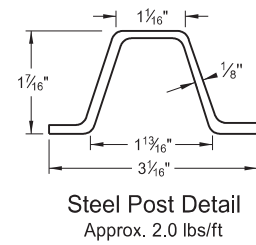


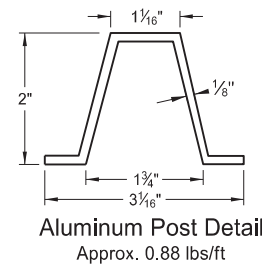
REFLECTORIZED DELINEATORS - DIVIDED HIGHWAY



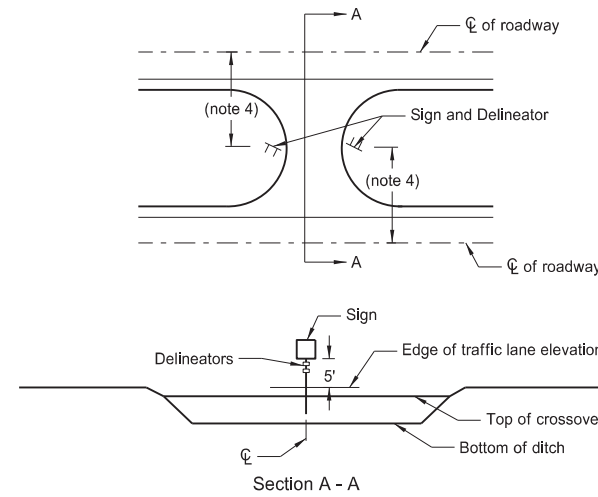
Installation
(Type A, B, and C)



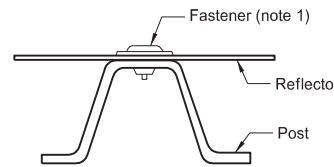
Steel Post Detail
Approx. 2.0 lbs/ft



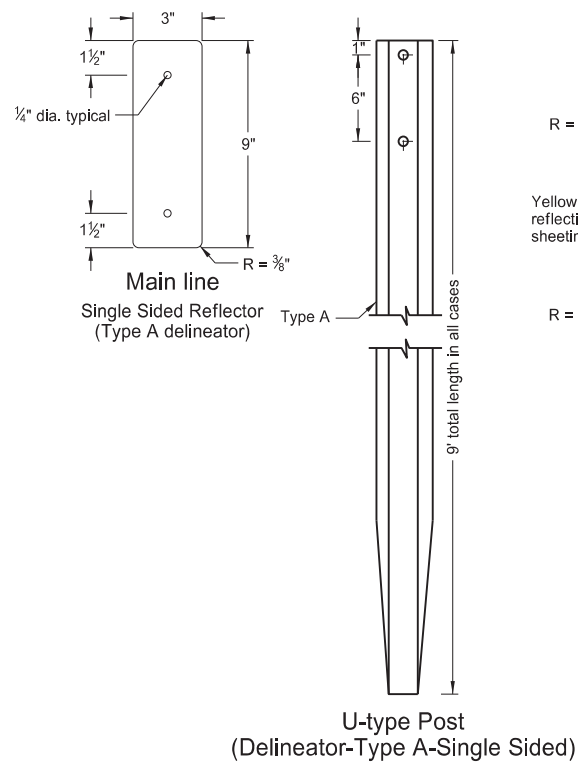
Aluminum Post Detail
Approx. 0.88 lbs/ft



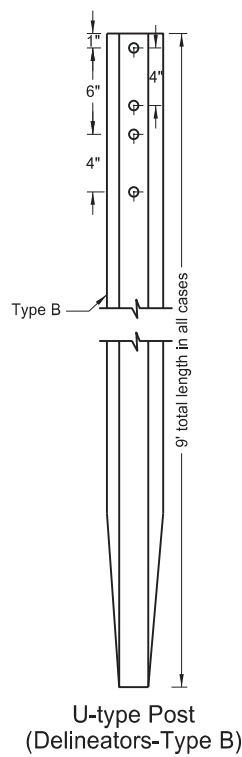
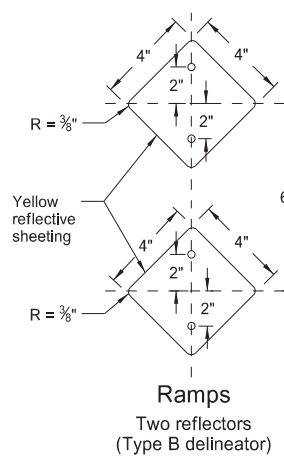
Median Crossovers
Signing and Delineation system



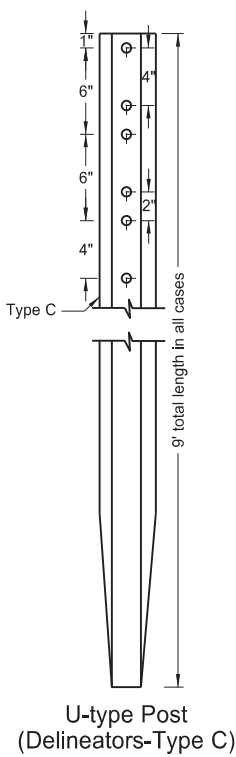
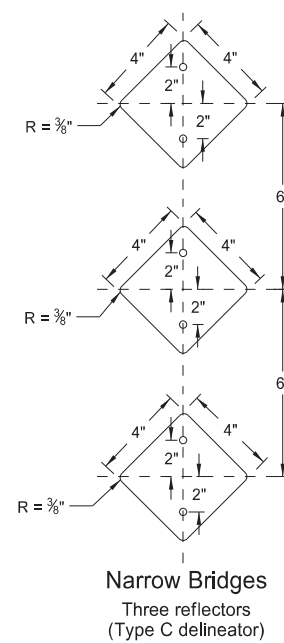
Type A, Type B, and Type C
Delineator Attachment Detail



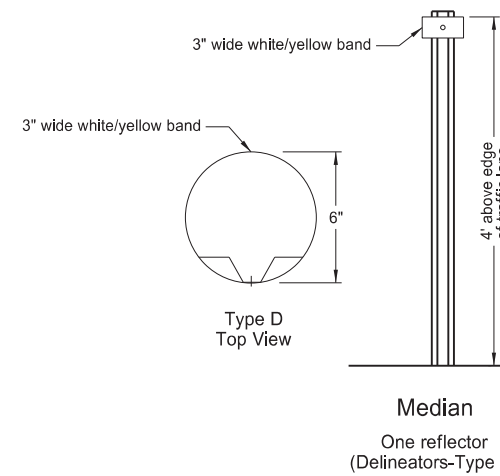
U-type Post
(Delineator-Type A-Single Sided)



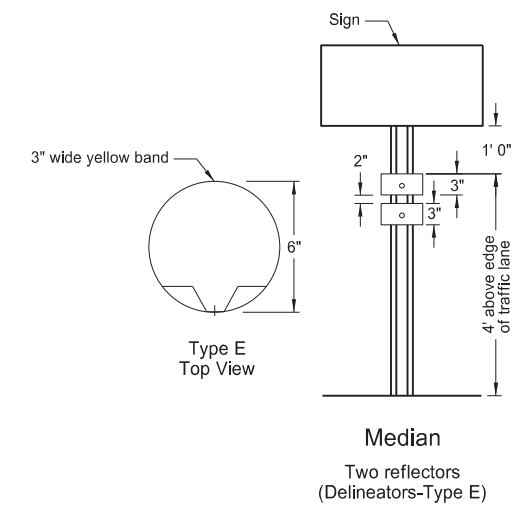
U-type Post
(Delineators-Type B)



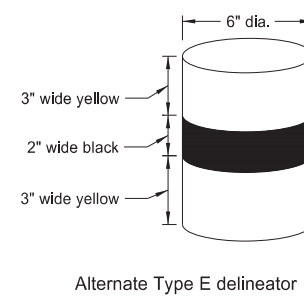
U-type Post
(Delineators-Type C)



Median
One reflector
(Delineators-Type D)



Median
Two reflectors
(Delineators-Type E)



Alternate Type E delineator

Delineator Details
Type A, B, and C

Installation: Install posts along the right shoulder line, in the direction of travel, unless shown otherwise on the plans.
Reflectors: Use reflector of the same color as the adjacent pavement marking with a 0.080 inch minimum thickness sign backing material.

Type E

Alternate: As an alternate, use one unit consisting of two yellow stripes separated by a 2" black stripe in place of two 3" yellow bands.

- (1) Use fasteners that are a minimum 1/4" diameter. Use double headed rivet or other non-rust vandal resistant fastener.
- (2) Drill only those holes required to attach the number of reflectors on that post, or drill all the posts the same so that any number of reflectors may be added.
- (3) Mount reflector facing traffic at an angle of 90° away from oncoming traffic.
- (4) Median width may vary. Place sign and delineator assembly in the median crossover an equal distance from each roadway.
- (5) Include all costs for materials, labor, and equipment to install single sided type A delineators in the unit price bid for "Delineators-Type A-Single Sided." Include all costs for materials, labor, and equipment to install single sided type B, type C, type D, and type E delineators in the unit price bid for "Delineators-Type B", "Delineators-Type C", "Delineators-Type D", and "Delineators-Type E."

NORTH DAKOTA DEPARTMENT OF TRANSPORTATION	
12/16/22	
REVISIONS	
DATE	CHANGE



12/16/22