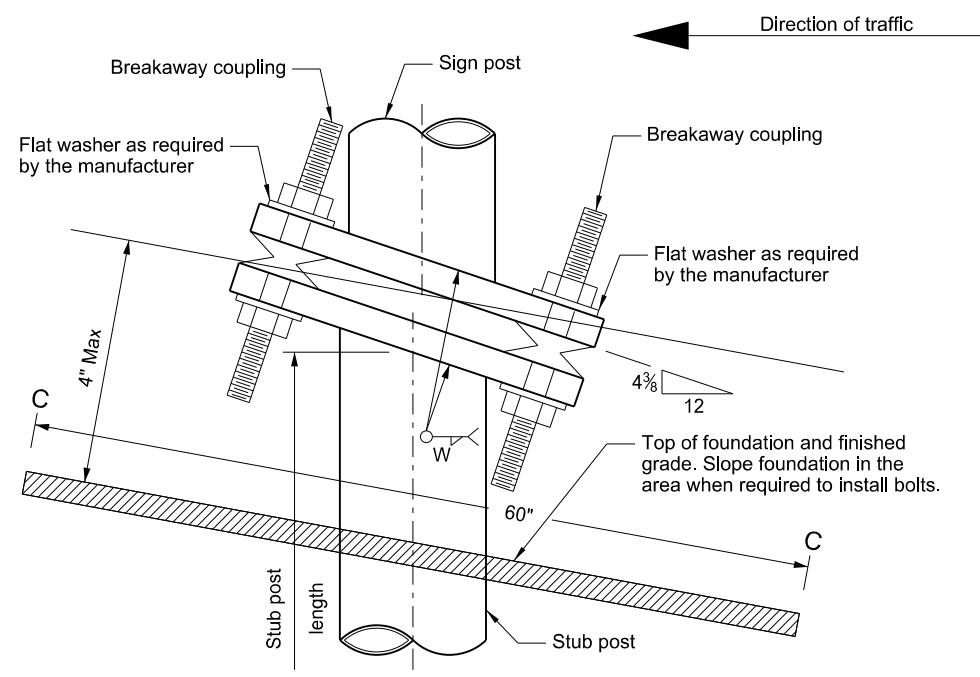


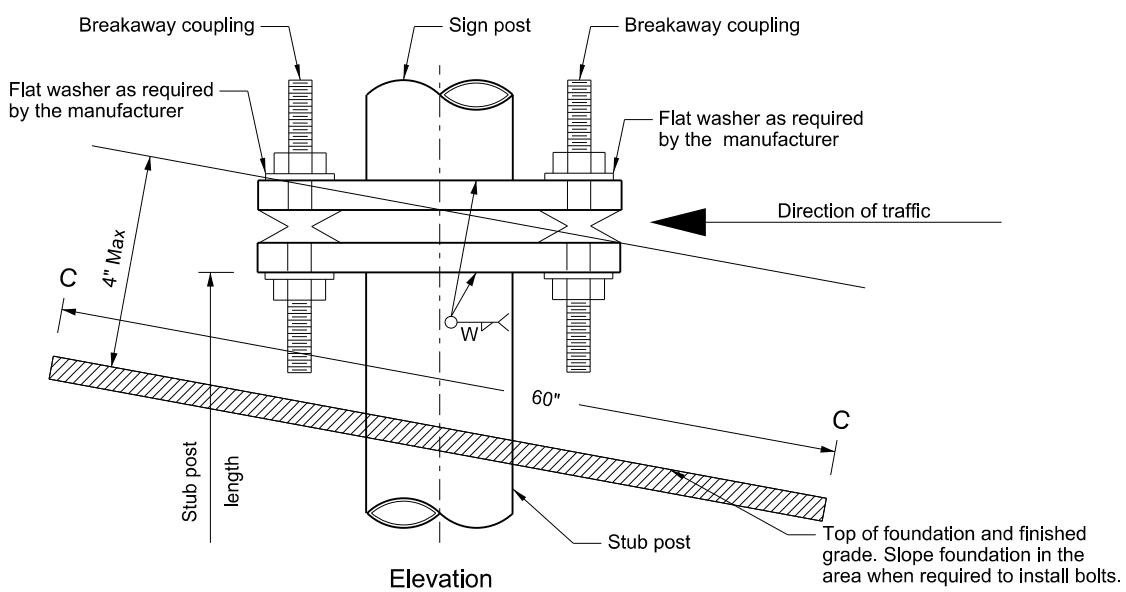
Breakaway Coupler System for Standard Pipe Stub Post

Notes:

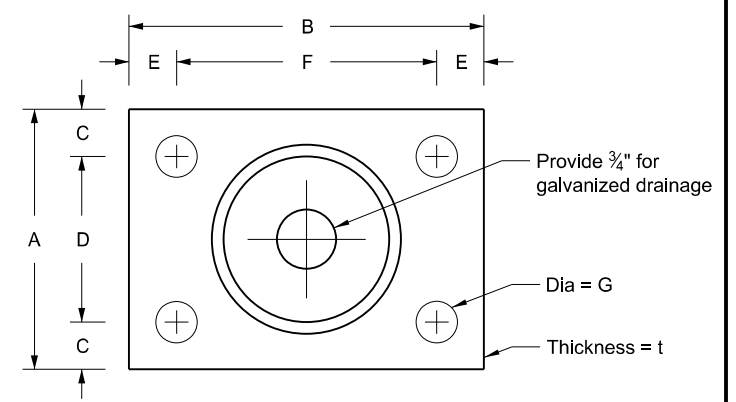
- In lieu of the breakaway base system on standards D-754-3 and D-754-4, use a breakaway coupler system. Manufacture the breakaway coupler system from material meeting the requirements of ASTM A325 fasteners with the special requirements as specified by DENT BREAKAWAY IND., INC. which meets the requirements of NCHRP Report 350.
- Fuse Joint Cuts - For steel posts cut after galvanizing, either galvanize cut after fabrication, or treat cut surface in accordance with ASTM A780. Aluminum posts need no treatment.
- Shim as required to plumb post.
- Tighten all bolts the maximum possible with 12" to 15" wrench.



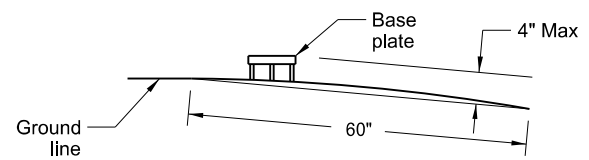
Elevation
Single Post Sign and Stub Post
Type A



Elevation
Two or More Post Sign and Stub Post
For two post signs with 8' or more post spacing
and all three or more post signs
Type C

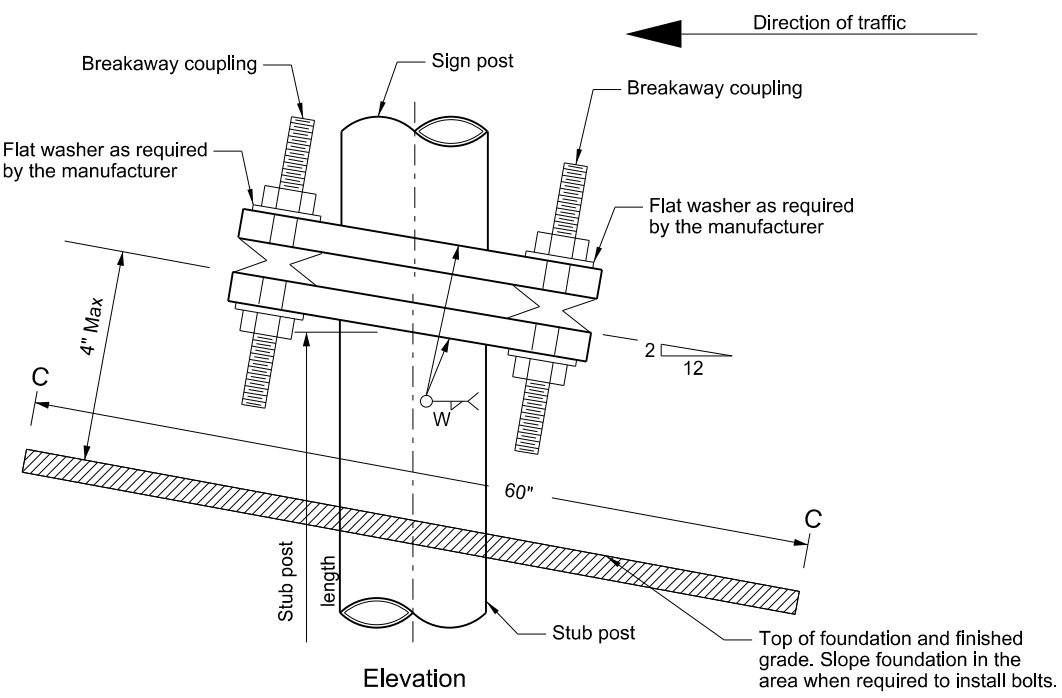


Plan Base Plate

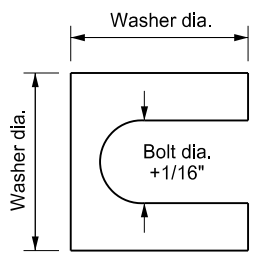


Section C - C

Max. protection of the stub post is 4" above a 60" chord aligned radially to the center line of the highway and connecting any point, within the length of the chord, on the ground surface on one side of the support to a point in the ground surface on the other side.



Elevation
Two Post Sign and Stub Post
For signs with less than 8' post spacing
Type B



Shim Detail

Furnish 2 - .012"± thick and 2 - .032"± thick shims per post. Fabricate shims from brass shim stock or strip conforming to ASTM B36.

Dimension Nom. Pipe Size	Breakaway Coupling	Base Table Data										Stub Post Length
		A	B	C	D	E	F	G	t	W		
Steel												
3 1/2"	1/2" x 4 1/2"	5 1/2"	8 3/8"	13 1/16"	3 7/8"	13 1/16"	6 3/4"	9 1/16"	3/4"	3/8"	1'-6"	
4"	5/8" x 4 1/2"	5 1/2"	8 3/4"	1"	3 1/2"	1"	6 3/4"	11 1/16"	3/4"	3/8"	1'-6"	
5"	3/4" x 5 1/4"	6 1/2"	10"	1 1/8"	4 1/4"	1 1/8"	7 3/4"	13 1/16"	1"	7/16"	2'-0"	
6"	1" x 5 1/4"	7 1/2"	11 3/4"	1 3/8"	4 3/4"	1 3/8"	9"	1 1/16"	1 1/4"	7/16"	2'-0"	
8"	1" x 5 1/4"	9 1/2"	13 1/4"	1 3/8"	6 3/4"	1 3/8"	10 1/2"	1 1/16"	1 1/4"	7/16"	2'-6"	
10"	1" x 5 1/4"	11 3/4"	15 1/4"	1 3/8"	9"	1 3/8"	12 1/2"	1 1/16"	1 1/4"	1/2"	3'-0"	
12"	1" x 7"	13 3/4"	18"	1 5/8"	10 1/2"	1 5/8"	14 3/4"	1 1/16"	1 1/2"	1/2"	3'-0"	
Aluminum												
3 1/2"	1/2" x 4 1/2"	5 1/2"	8 3/8"	13 1/16"	3 7/8"	13 1/16"	6 3/4"	9 1/16"	3/4"	3/8"	1'-6"	
4"	5/8" x 4 1/2"	5 1/2"	8 3/4"	1"	3 1/2"	1"	6 3/4"	11 1/16"	1"	7/16"	1'-6"	
5"	3/4" x 5 1/4"	6 1/2"	10"	1 1/8"	4 1/4"	1 1/8"	7 3/4"	13 1/16"	1"	7/16"	2'-0"	
6"	1" x 5 1/4"	7 1/2"	11 3/4"	1 3/8"	4 3/4"	1 3/8"	9"	1 1/16"	1 1/4"	1/2"	2'-0"	
8"	1" x 5 1/4"	9 1/2"	13 1/4"	1 3/8"	6 3/4"	1 3/8"	10 1/2"	1 1/16"	1 1/4"	1/2"	2'-6"	
10"	1" x 5 1/4"	11 3/4"	15 1/4"	1 3/8"	9"	1 3/8"	12 1/2"	1 1/16"	1 1/2"	7/16"	3'-0"	
12"	1" x 7"	13 3/4"	18"	1 5/8"	10 1/4"	1 5/8"	14 3/4"	1 1/16"	1 3/4"	1 1/16"	3'-0"	

NORTH DAKOTA DEPARTMENT OF TRANSPORTATION	
10-3-2013	
REVISIONS	
DATE	CHANGE
8-30-2018 8-29-2019	Updated notes to active voice. New Design Engineer PE Stamp.

This document was originally issued and sealed by
Kirk J Hoff,
Registration Number
PE- 4683,
on 8/29/19 and the original document is stored at the North Dakota Department of Transportation