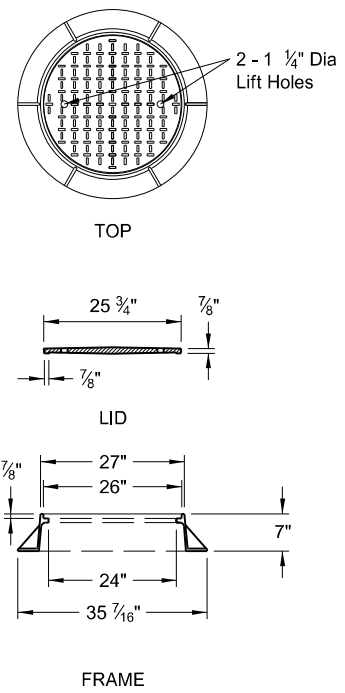
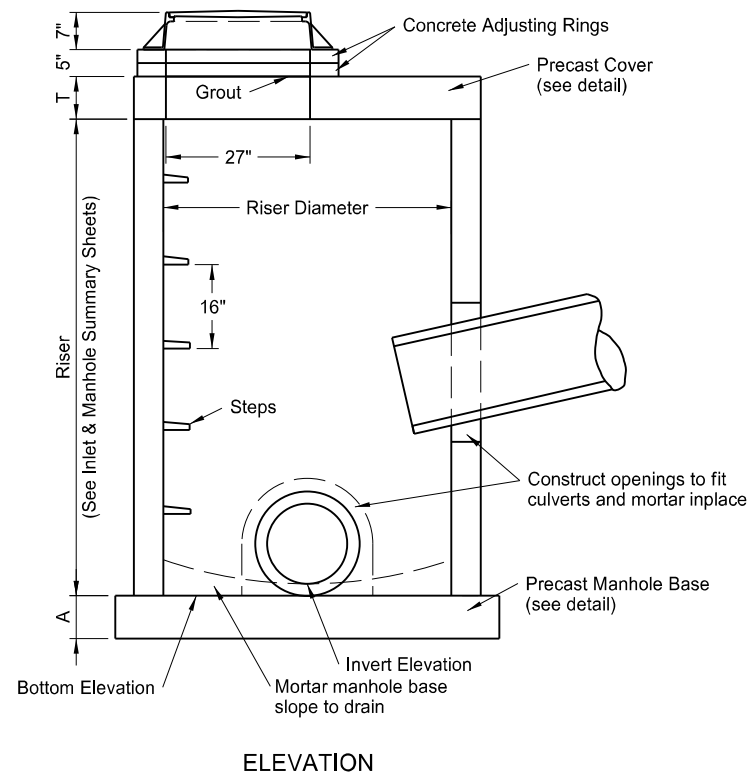


MANHOLE DETAILS

D-722-5



PRECAST MANHOLE COVERS

RISER DIAMETER	COVER DIAMETER	WEIGHT OF SECTION	T	K	L	BOTTOM * BARS	TOP * BARS
48"	58"	1,080 Lb	6"	6"	8"	#4 at 6"	----
54"	65"	1,910 Lb	8"	6"	8"	#4 at 6"	----
60"	72"	2,430 Lb	8"	7"	9"	#4 at 6"	#4 at 11"
66"	79"	3,010 Lb	8"	7"	9"	#4 at 6"	#4 at 11"
72"	86"	3,640 Lb	8"	8"	10"	#4 at 6"	#4 at 11"
84"	100"	5,060 Lb	8"	9"	11"	#5 at 6"	#5 at 11"
96"	114"	6,695 Lb	8"	9"	11"	#5 at 6"	#5 at 11"
108"	128"	12,810 Lb	12"	10"	12"	#5 at 6"	#5 at 11"
120"	142"	15,900 Lb	12"	11"	13"	#5 at 6"	#5 at 11"

* - Place reinforcement listed in each direction.

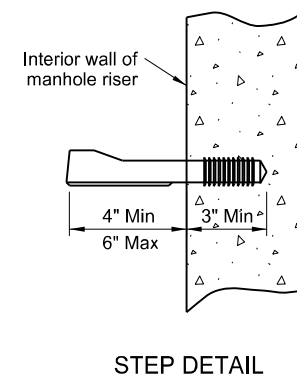
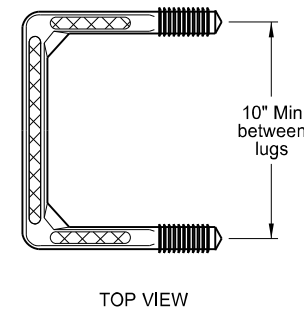
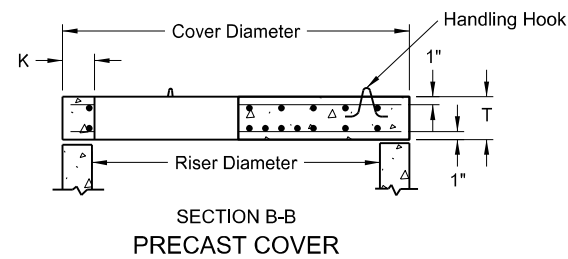
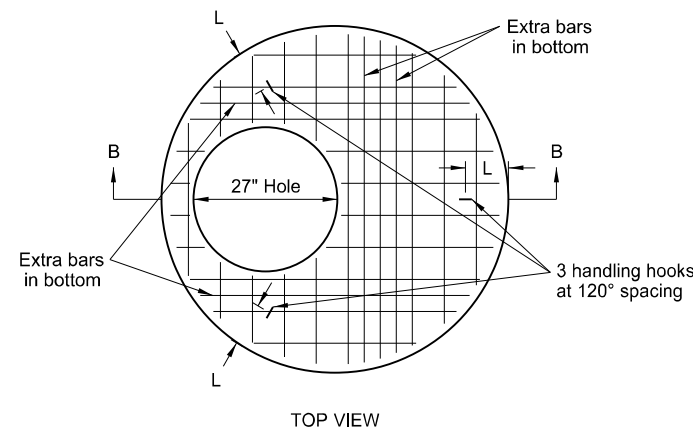
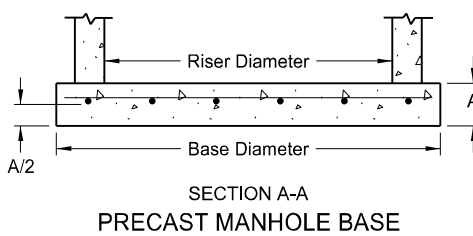
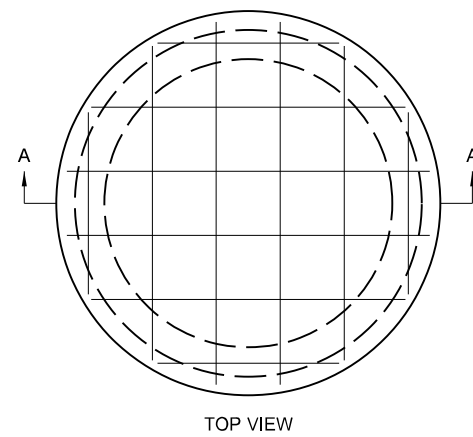
MANHOLE BASES

RISER DIAMETER	BASE DIAMETER	WEIGHT OF SECTION	A	BARS *
48"	66"	1,785 Lb	6"	#4 at 12"
54"	72"	2,830 Lb	8"	#4 at 12"
60"	78"	3,320 Lb	8"	#4 at 12"
66"	86"	4,035 Lb	8"	#4 at 12"
72"	92"	4,620 Lb	8"	#4 at 12"
84"	107"	6,245 Lb	8"	#4 at 12"
96"	120"	7,855 Lb	8"	#4 at 12"
108"	132"	14,255 Lb	12"	#4 at 8"
120"	148"	17,925 Lb	12"	#4 at 8"

* - Place reinforcement listed in each direction.

NOTES:

- Use class AE concrete precast or cast-in-place bases constructed in accordance with NDDOT Standard Specifications. Use aggregate size approved by the engineer.
- Use precast concrete manholes, risers and steps conforming to AASHTO M199.
- Reinforce precast concrete bases and covers as shown in the table for the corresponding riser diameter.
- Use Grade 60 reinforcing steel.
- Cut or Precast manhole riser bottoms square to fit the manhole base. Grout joint between base and riser with cement mortar.
- The manhole riser length listed in the plans is based on a 7" manhole casting, plus 2 concrete adjusting rings (5"), plus the "T" dimension shown in the Precast Manhole Covers table.
- Use corrosion resistant manhole steps with a minimum 800 pound vertical load resistance and a minimum 400 pound horizontal pull-out resistance. Use configuration of steps approved by the Engineer.
- Precast concrete manhole covers shown are designed for an HS-20 wheel load and maximum fill height of 15'-0". Special design is required for heavier wheel loads and/or greater fill heights.
- Use of other castings, similar in dimension, is allowed if the casting conforms to the manhole cover and has a lid style specified in the plans. Modifications to the manhole cover to facilitate similar castings are only allowed with written approval from the Engineer.
- Use castings manufactured in accordance with AASHTO M306-09. Use metal conforming to AASHTO M105 Class 35B in the manufacture of castings.



NORTH DAKOTA DEPARTMENT OF TRANSPORTATION	
05-14-2013	
REVISIONS	
DATE	CHANGE
6-24-14	Revised notes 1 & 6, added dimensions to Elev. drawing.
10-17-17	Updated to active voice.
12-02-20	Updated PE stamp and signature.



12 02 2020