

INLET - SPECIAL

D-722-1B

TYPE 1
(See Standard Drawing D-722-1)

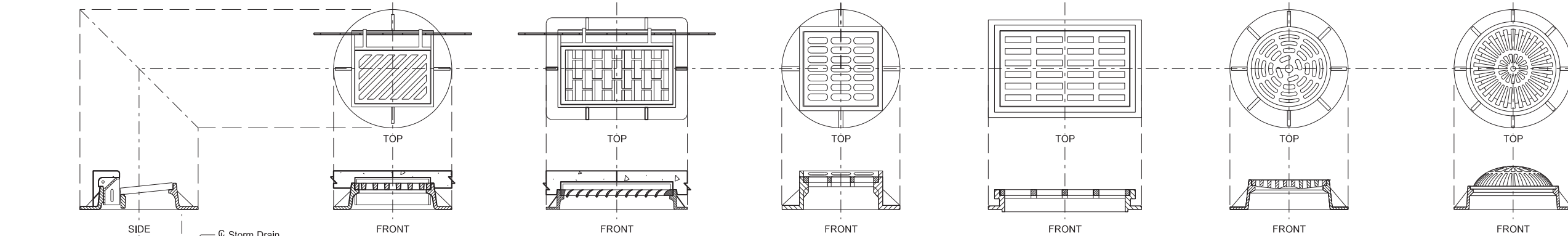
TYPE 2
(See Standard Drawing D-722-2)

MOUNTABLE - TYPE A
(See Standard Drawing D-722-3)

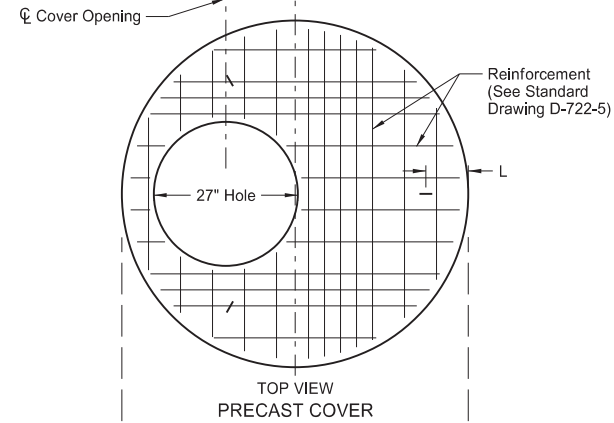
MOUNTABLE - TYPE B
(See Standard Drawing D-722-3)

CATCH BASIN - TYPE A
(See Standard Drawing D-722-1A)

CATCH BASIN - BEEHIVE (6 in. or 9 in.)
(See Standard Drawing D-722-1A)



See Note 1.



RISER DIAMETER	COVER DIAMETER	BASE DIAMETER
48"	58"	66"
60"	72"	78"
72"	86"	92"

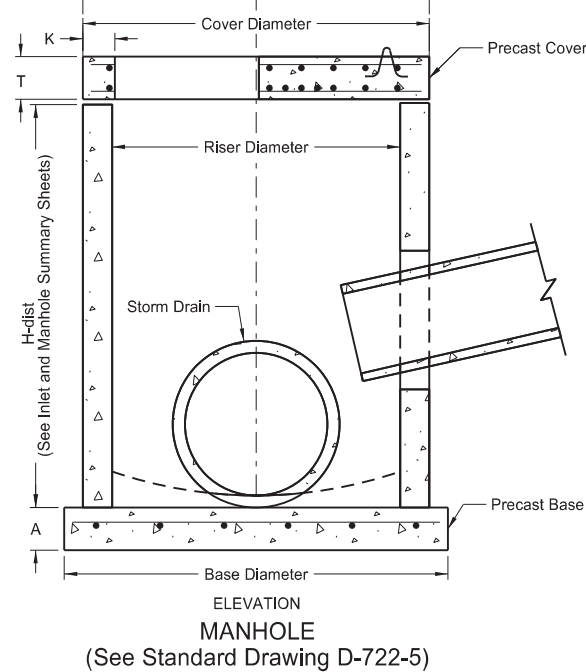
See Note 4.

PAY ITEMS

48 in. Riser	Inlet Special - Type 1 48 in.	Ea.
	Inlet Special - Type 2 48 in.	Ea.
	Inlet Special Mountable - Type A 48 in.	Ea.
	Inlet Special Mountable - Type B 48 in.	Ea.
	Inlet Special Catch basin 6 in. beehive 48 in.	Ea.
	Inlet Special Catch basin - Type A 48 in.	Ea.
60 in. Riser	Inlet Special - Type 1 60 in.	Ea.
	Inlet Special - Type 2 60 in.	Ea.
	Inlet Special Mountable - Type A 60 in.	Ea.
	Inlet Special Mountable - Type B 60 in.	Ea.
	Inlet Special Catch basin 6 in. beehive 60 in.	Ea.
	Inlet Special Catch basin 9 in. beehive 60 in.	Ea.
72 in. Riser	Inlet Special - Type 1 72 in.	Ea.
	Inlet Special - Type 2 72 in.	Ea.
	Inlet Special Mountable - Type A 72 in.	Ea.
	Inlet Special Mountable - Type B 72 in.	Ea.
	Inlet Special Catch basin 6 in. beehive 72 in.	Ea.
	Inlet Special Catch basin 9 in. beehive 72 in.	Ea.

NOTES:

- For inlet casting details, see Standard Drawings D-722-1, D-722-1A, D-722-2, and D-722-3. Use of other castings, similar in dimension, is allowed provided the casting meets the requirements set forth in the referenced Standard Drawings. Use the grate style as specified in the plans and include in the price bid for "Inlet Special - (casting type & riser size)".
- Use castings manufactured in accordance with AASHTO M306. Use metal conforming to AASHTO M105 Class 35B in the manufacture of castings.
- Use the Class of concrete, aggregate size, and methods of construction as detailed in Standard Drawing D-722-5 for the manhole riser, cover, and base.
- See Standard Drawing D-722-5 for manhole riser, cover, and base details, dimensions, and reinforcement requirements.
- Note the distance between the center of the cover opening and the center of the storm drain on the Plan & Profile sheets.
- Construct manhole steps in accordance with Standard Drawing D-722-5 if noted on the Plan and Profile sheets.
- Construct all risers 4 to 5 inches below final elevation and adjust to final grade using adjusting rings or cast-in-place concrete after paving. Include all costs for this adjustment in the price bid for "Inlet - Special, (casting type & riser size)".



NORTH DAKOTA DEPARTMENT OF TRANSPORTATION	
03-18-14	
REVISIONS	
DATE	CHANGE
08-19-21	Note Revisions

