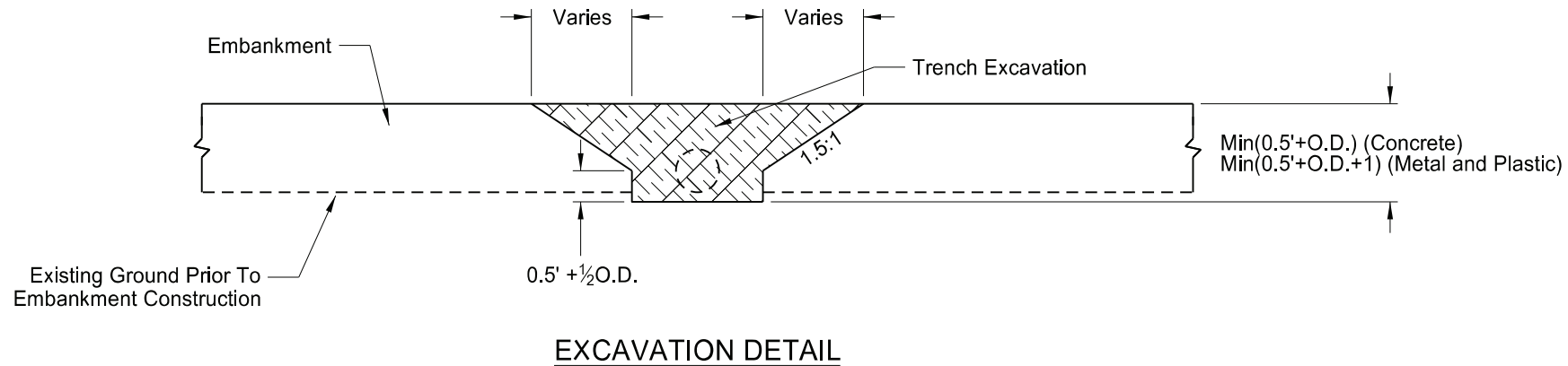


TRANSVERSE MAINLINE PIPE INSTALLATION DETAIL FOR PIPES INSTALLED IN NEW EMBANKMENT AREAS



EXCAVATION DETAIL

Pay Items

- 1) Pipe*
- 2) Geosynthetic Material Type G

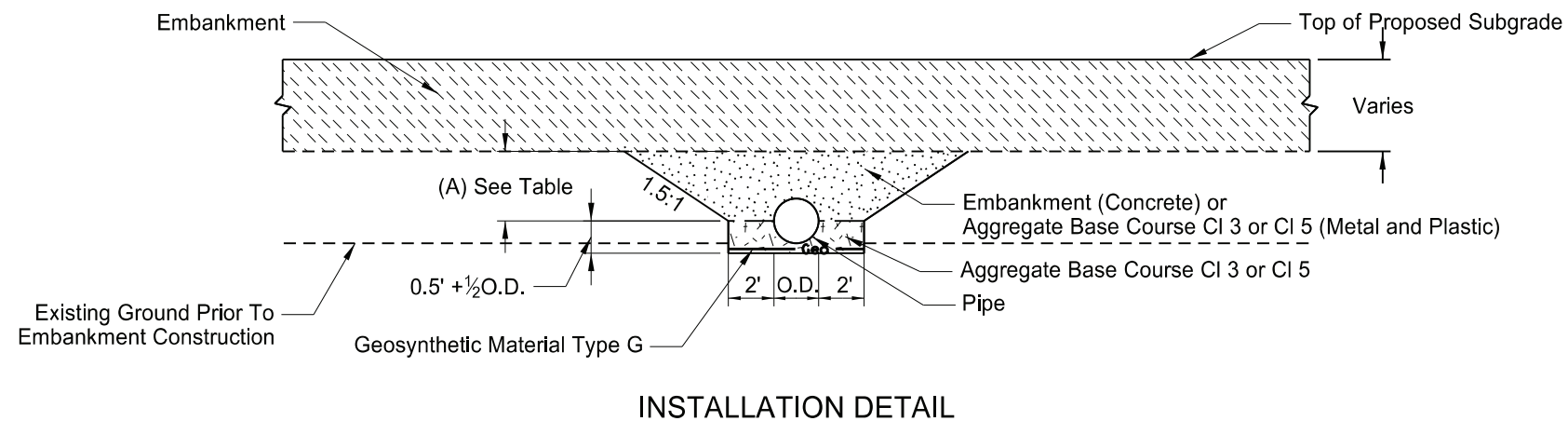
*Included in Pipe Pay Item

- 1) Pipe
- 2) Trench excavation
- 3) Aggregate base course CI 3 or CI 5
- 4) Embankment

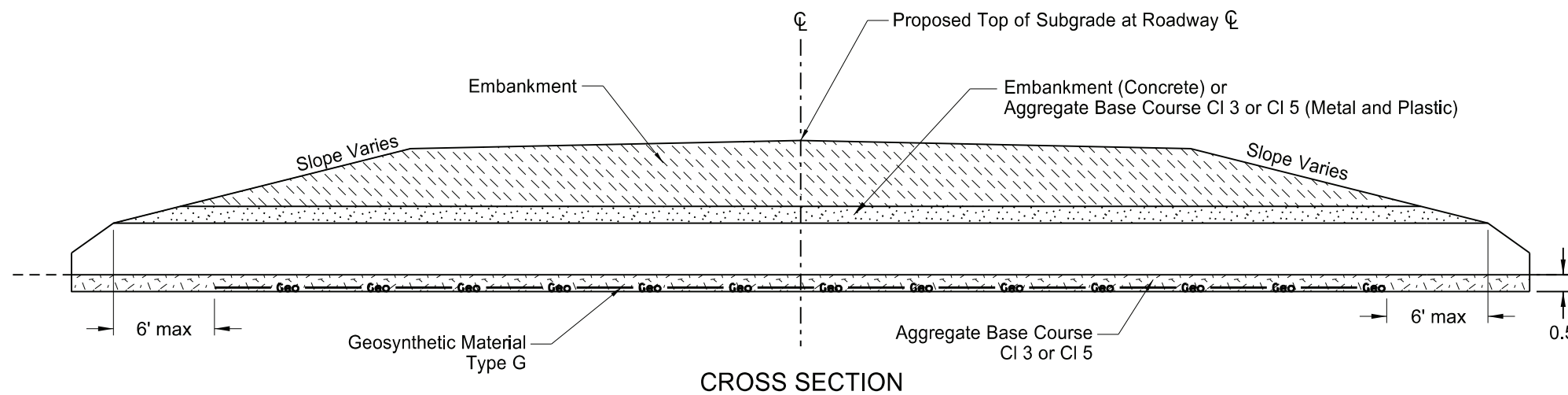
NOTES:

- 1) This drawing applies to new/extended mainline and paved intersection roadway pipes only (including ramps). It does not include pipes in approaches
- 2) Embankment may be either Borrow Excavation or Common Excavation - Type A

Backfill Dimensions	
Pipe Materials	Dimension (A)
Concrete	0.5 O.D.
Metal and Plastic	0.5 O.D. + 1 Foot



INSTALLATION DETAIL



CROSS SECTION

NORTH DAKOTA DEPARTMENT OF TRANSPORTATION	
7-26-13	
REVISIONS	
DATE	CHANGE
10-15-13	Label Formatting
1-21-15	Nomenclature
12-10-15	Added Plastic Pipe
5-27-20	Replaced R1 fabric with Geogrid Changed bedding depth

