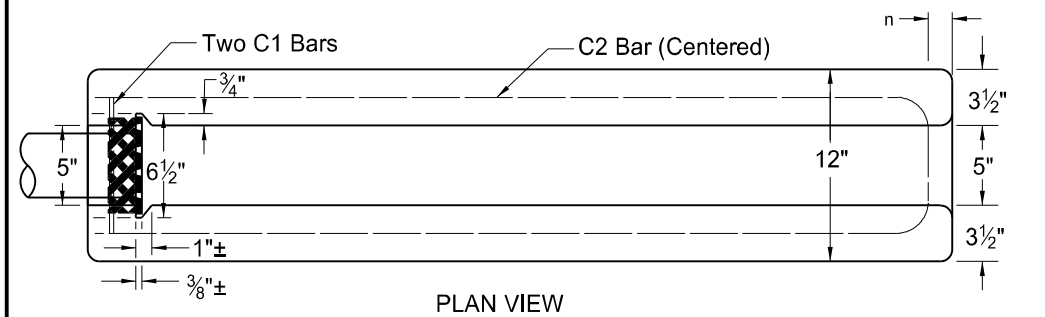
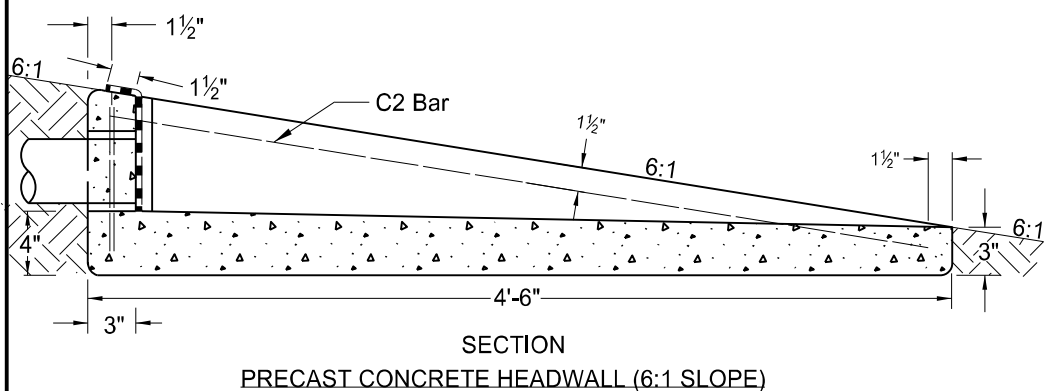


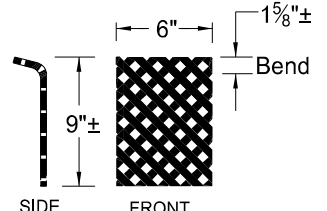
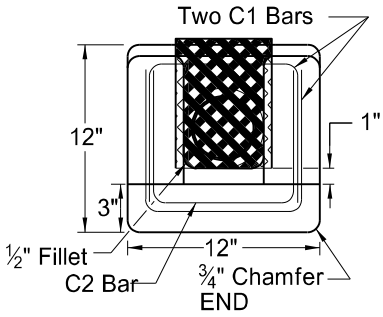
PRECAST CONCRETE HEADWALL DETAILS



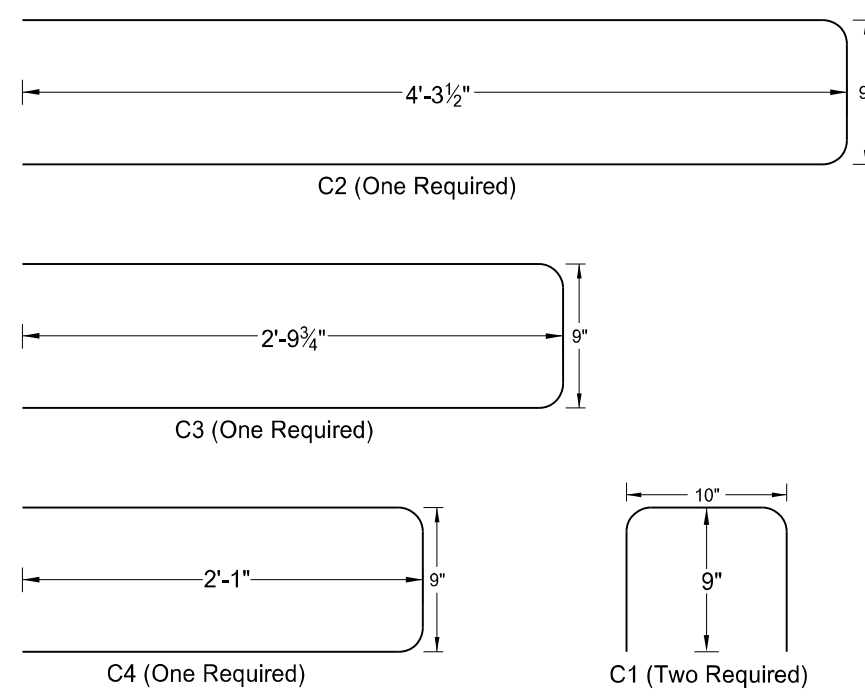
PLAN VIEW



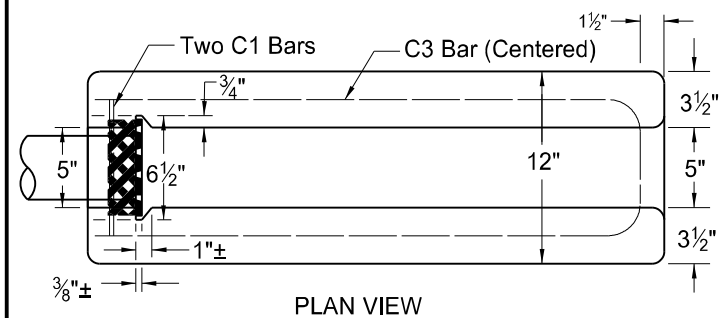
SECTION
PRECAST CONCRETE HEADWALL (6:1 SLOPE)



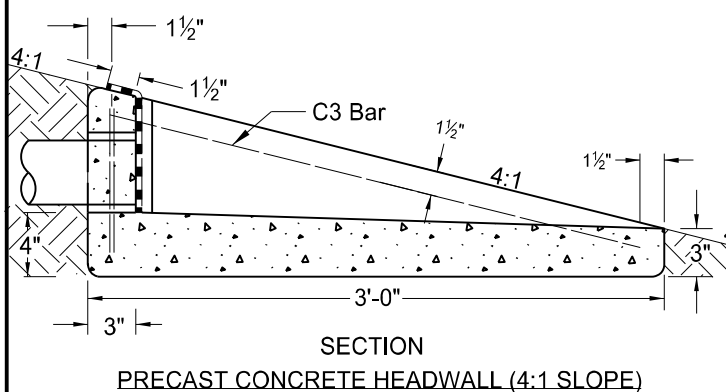
RODENT SCREEN
Dimensions are approximate to allow bend and a snug fit in headwall slot



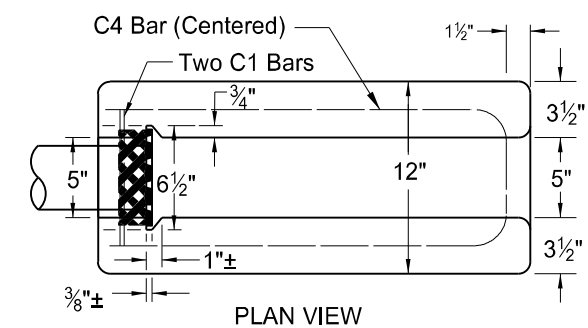
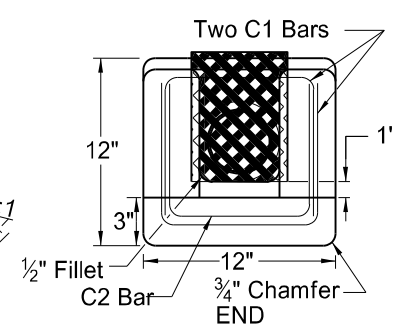
BENT BAR DETAILS



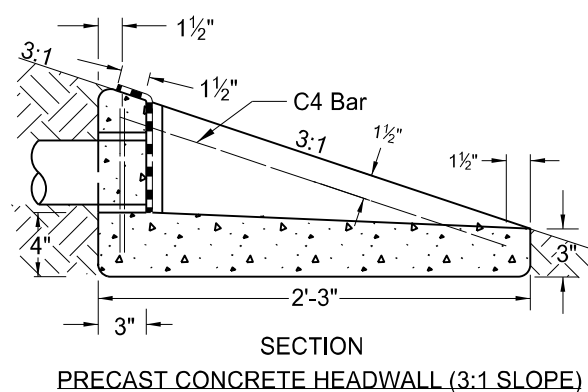
PLAN VIEW



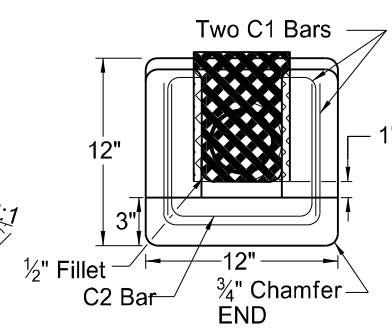
SECTION
PRECAST CONCRETE HEADWALL (4:1 SLOPE)



PLAN VIEW



SECTION
PRECAST CONCRETE HEADWALL (3:1 SLOPE)



NOTES:

- RODENT SCREEN: Fabricate rodent screen from flattened expanded metal with screen openings of approximately 0.25 square inches. Use 16 ga metal, hot dip galvanized after fabrication, for the screen.
- REINFORCING BARS: Use No. 4 deformed steel reinforcing bars.
- BENT BARS: Bent bar dimensions given out to out.
- SLOPE: Match headwall slope to foreslope.

NORTH DAKOTA DEPARTMENT OF TRANSPORTATION	
10-27-2010	
REVISIONS	
DATE	CHANGE
12/02/2020	Removed drainable base details Added 4:1 and 3:1 Headwalls