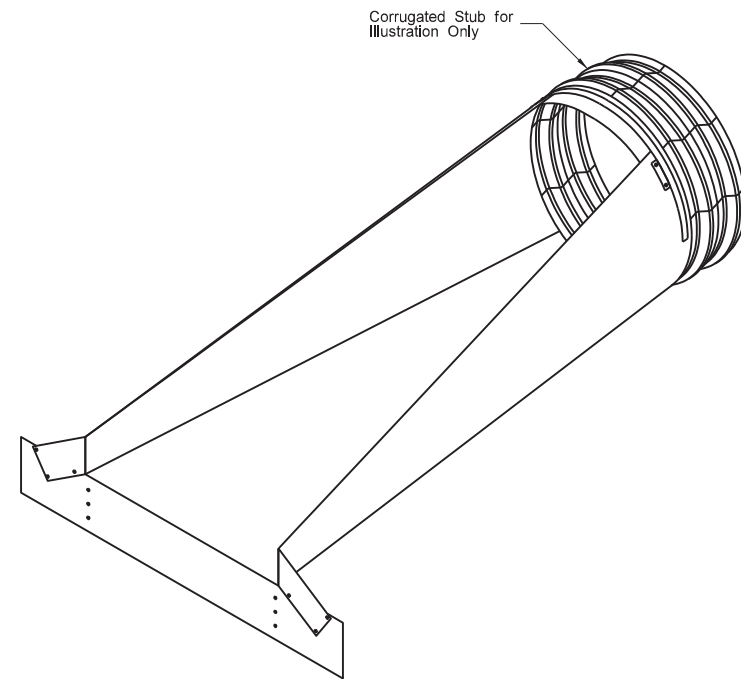
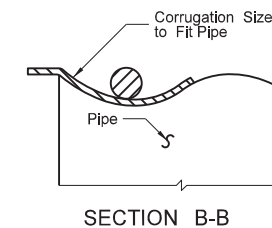
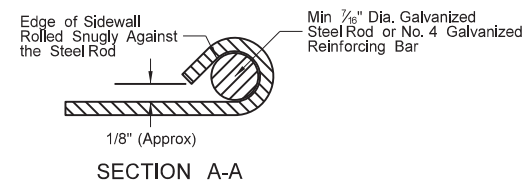
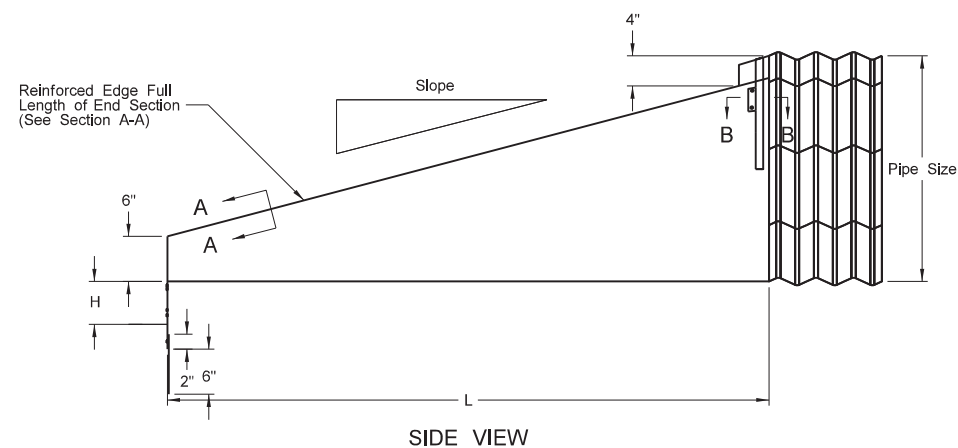
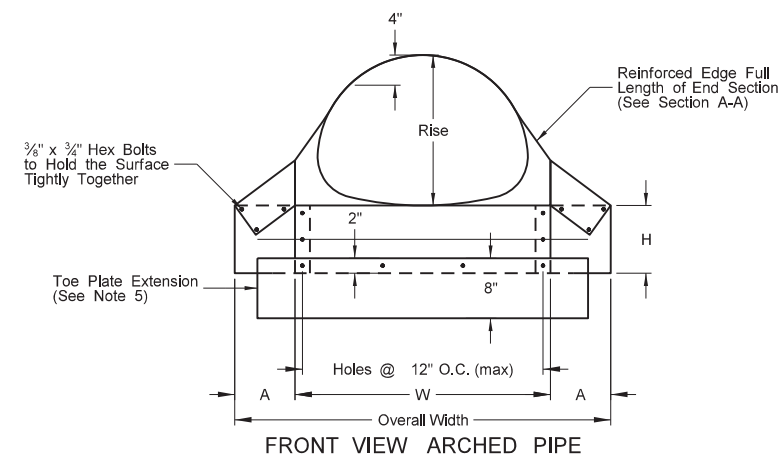
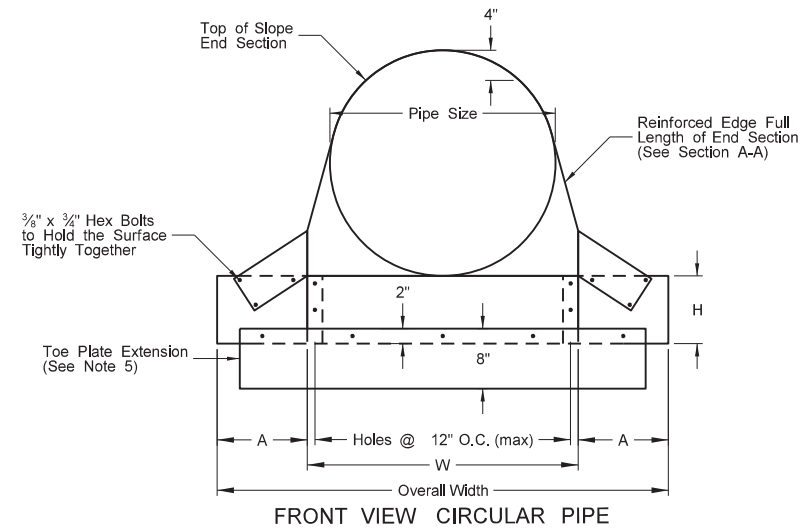


TRAVERSABLE END SECTIONS FOR CORRUGATED STEEL PIPE CULVERTS



ISOMETRIC VIEW



TRAVERSABLE END SECTIONS FOR CIRCULAR PIPES										
Pipe Dia. (in.)	Min. Thick. in.	Dimensions (inches)					L Dimensions			
		Gauge	A	H	W	Overall Width	Slope	Length (in.)	Slope	Length (in.)
15	.064	16	8	6	21	37	4:1	20	6:1	30
18	.064	16	8	6	24	40	4:1	32	6:1	48
24	.064	16	8	6	30	46	4:1	56	6:1	84
30	.109	12	12	9	36	60	4:1	80	6:1	120

TRAVERSABLE END SECTIONS FOR ARCHED PIPES												
Equiv. Dia. (in.)	(inches) Span	Rise	Min. Thick. in.	Dimensions (inches)					L Dimensions			
				Gauge	A	H	W	Overall Width	Slope	Length (in.)	Slope	Length (in.)
18	21	15	.064	16	8	6	27	43	4:1	20	6:1	30
21	24	18	.064	16	8	6	30	46	4:1	32	6:1	48
24	28	20	.064	16	8	6	34	50	4:1	40	6:1	60

NOTES:

1. See Standard Drawing D-714-04 for end section to pipe details.
2. Use a  $\frac{1}{2}$ " diameter rod or strap type connection for 15", 18", and 24" diameter end sections to attach to corrugated steel pipe.
3. Use a  $\frac{5}{8}$ " diameter rod type connection for 30" diameter round end sections to attach to corrugated steel pipe.
4. Use a  $\frac{1}{2}$ " diameter rod type connection for all sizes of arched pipe end sections to attach to corrugated steel pipe.
5. Use the same gauge material for the toe plate extension as the end section. Use a dimension with a width 6" less than the overall width.
6. For centerline crossings, use end sections with a dimension "W" of 36" or less where a single culvert is required to convey the flow and a dimension "W" of 30" or less where multiple culverts are required to convey the flow.
7. For approach crossings, use end sections with a dimension "W" of 24" or less where a single culvert is required to convey the flow and a dimension "W" of 21" where multiple culverts are required to convey the flow.

NORTH DAKOTA DEPARTMENT OF TRANSPORTATION	
7-23-09	
REVISIONS	
DATE	CHANGE
8-6-21	Notes 2-7, Labels

