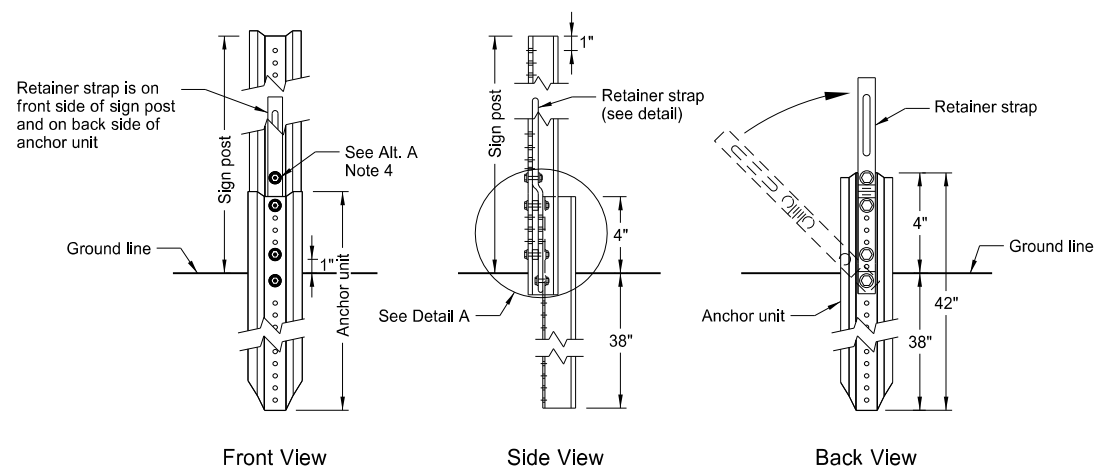
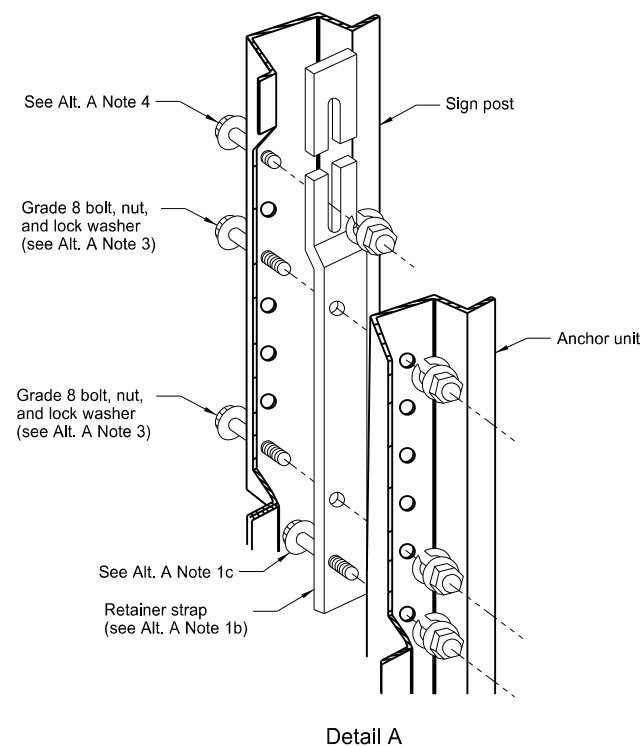
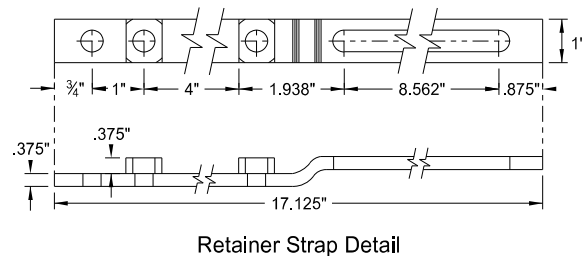


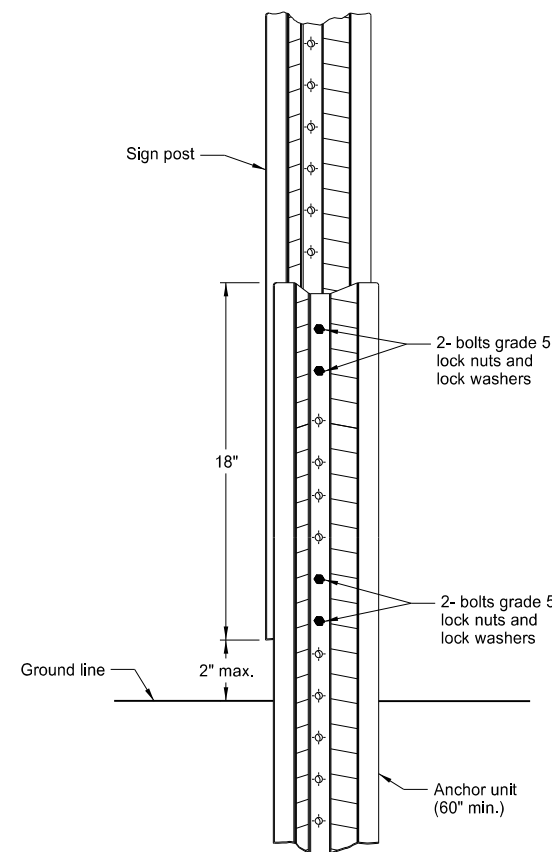
U-Channel Post



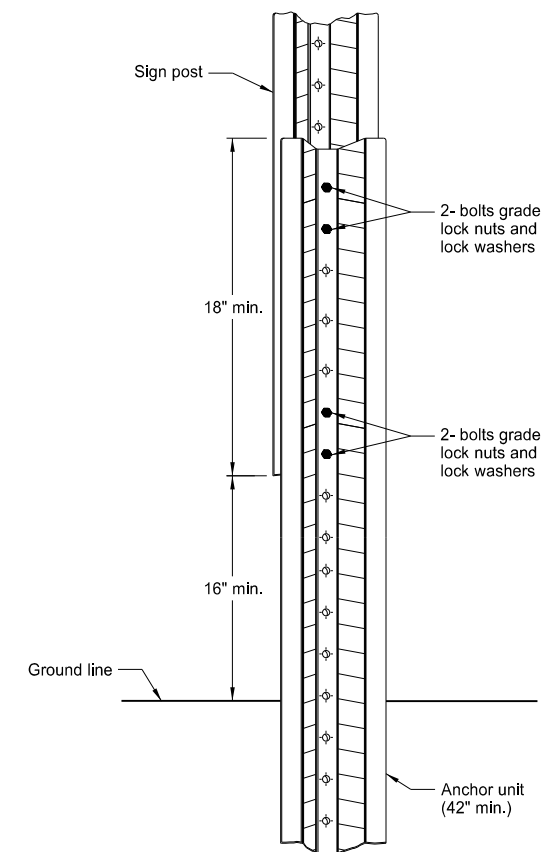
Breakaway U-Channel Detail Alternate A
Install a maximum of 2 posts within 7'.



Retainer Strap Detail



Breakaway U-Channel Splice Detail Alternate B
(2.5 and 3 lb/ft)
Install a maximum of 3 posts within 7'.



Breakaway U-Channel Splice Detail Alternate C
(2.5 and 3 lb/ft)
Install a maximum of 3 posts within 7'.

Alternate A Steps of Installation:

1. a) Drive anchor unit to within 12" of ground level.
b) Establish proper assembly by lining up bottom hole of retainer strap with 6th hole from the top of the anchor unit.
c) Assemble strap to back of anchor unit using 5/16"x2" bolt, lock washer and nut.
d) Rotate strap 90° to left.
2. a) Drive anchor unit to 4" above ground.
b) Rotate strap to vertical position.
3. a) Place 5/16"x2" bolt, lock washer and nut in bottom of sign post to facilitate alignment of sign post with proper hole in anchor unit.
b) Alternately tighten two connector bolts.
4. Complete assembly by tightening 5/16"x2" bolt (this fastens sign post to retainer strap).
5. Properly nest base post, strap, and sign post. Proper nesting occurs when all flat surfaces of the base post, strap, and sign post at the bolts have full contact across the entire width.

NORTH DAKOTA DEPARTMENT OF TRANSPORTATION	
2-28-14	
REVISIONS	
DATE	CHANGE
9-27-17 10-03-19	Updated to active voice New Design Engr PE Stamp

This document was originally issued and sealed by
Kirk J Hoff,
Registration Number
PE- 4683,
on 10/03/19 and the original document is stored at the North Dakota Department of Transportation