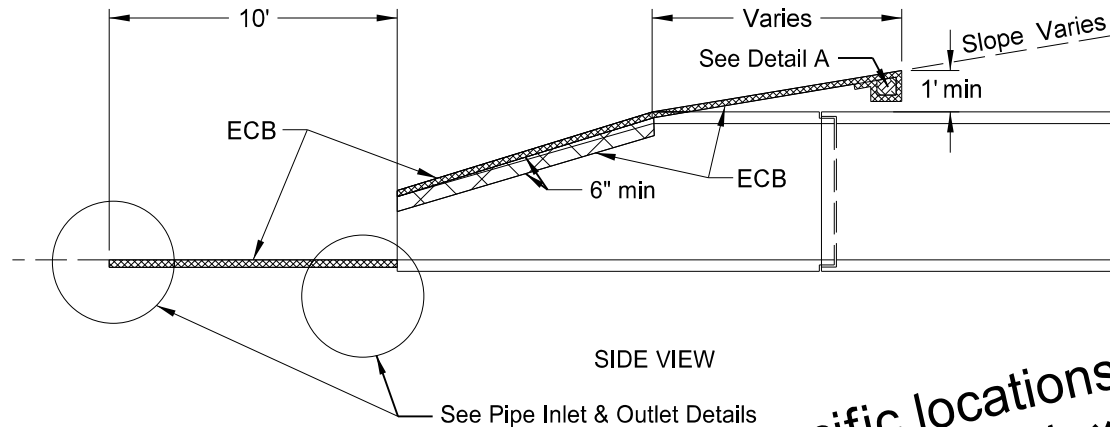
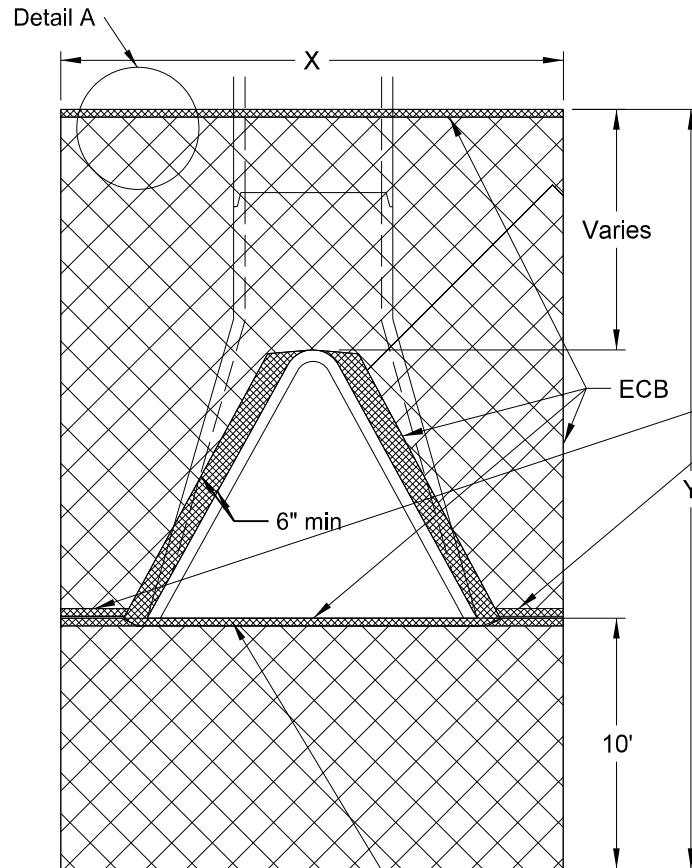


FRONT VIEW



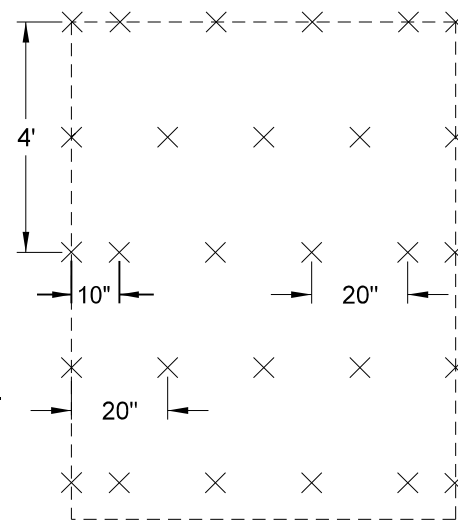
SIDE VIEW



TOP VIEW

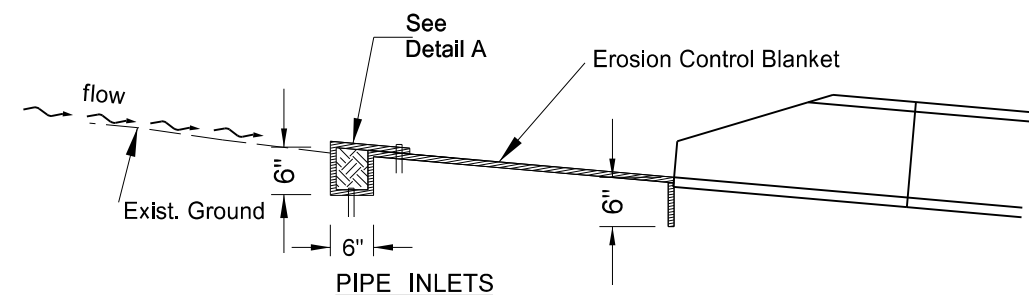
Inlet side - see applicable detail for pipe inlet.  
Outlet side - see applicable detail for pipe outlet.

Tuck this end a minimum of 6" into the embankment.

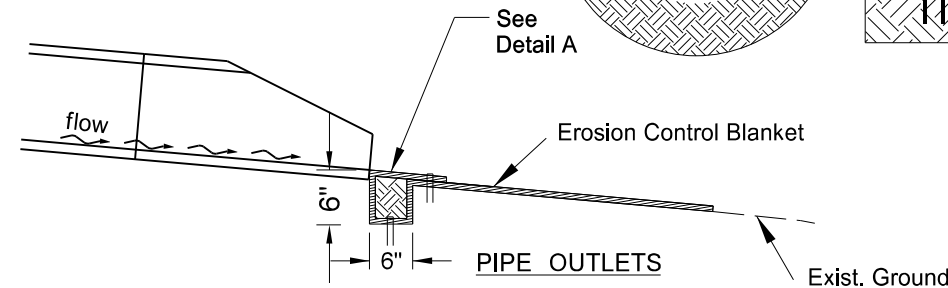


STAPLE PATTERN

NOTE: Tuck the ECB a minimum of 6" into the embankment (against the flared end section) around the opening of the flared end section.



PIPE INLETS



PIPE OUTLETS

Edit table for project specific locations, sizes, and quantities. Delete this text.

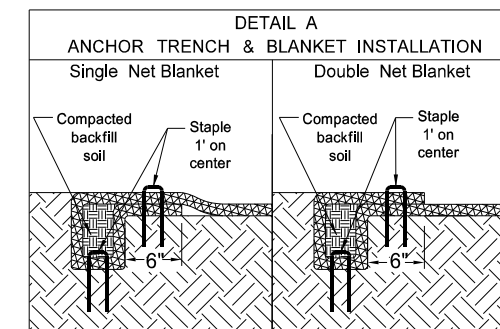
Erosion Control Blanket (ECB)								
Location to be Protected	Culvert Type	Pipe Diam (Inch)	No	Unit Quantity (SY)	Total Quantity			
					Type 1 (SY)	Type 2 (SY)	Type 3 (SY)	Type 4 (SY)
2+00 Rt	Appr	xx	x	xx	00	00	00	00
3+00 Rt	CL	xx	x	xx	00	00	00	00
5+20 Lt	CL	xx	x	xx	00	00	00	00
7+50 Lt	Appr	xx	x	xx	00	00	00	00
10+00 Rt	CL	xx	x	xx	00	00	00	00
12+00 Lt	CL	xx	x	xx	00	00	00	00
15+75 Rt	CL	xx	x	xx	00	00	00	00
21+26 Rt	CL	xx	x	xx	00	00	00	00
35+02 Lt	Appr	xx	x	xx	00	00	00	00
40+25 Lt	Appr	xx	x	xx	00	00	00	00
50+26 Rt	Appr	xx	x	xx	00	00	00	00
60+75 Rt	CL	xx	x	xx	00	00	00	00
75+29 Lt	CL	xx	x	xx	00	00	00	00
82+50 Lt	CL	xx	x	xx	00	00	00	00
91+65 Rt	Appr	xx	x	xx	00	00	00	00
91+65 Lt	Appr	xx	x	xx	00	00	00	00
101+26 Rt	Appr	xx	x	xx	00	00	00	00
105+33 Lt	Appr	xx	x	xx	00	00	00	00
130+56 Rt	CL	xx	x	xx	00	00	00	00
175+23 Lt	CL	xx	x	xx	00	00	00	00
Total (SYs)					000	000	000	000

APPROACH CULVERTS				
DIA	X	Y	Surface area to be protected	ECB
In	Ft	Ft	SF	SY
15	9.0	20.0	176.0	20
18	9.5	20.7	190.7	22
21	9.5	21.0	190.9	22
24	10.5	21.6	214.1	24
27	11.0	22.0	226.3	25
30	11.6	22.5	241.5	27
36	12.7	23.3	268.8	30
42	13.3	23.3	279.7	31
48	13.8	24.0	293.2	33
54	14.5	23.4	300.6	34
60	15.0	23.0	307.5	35
66	15.6	24.0	325.6	37
72	16.2	24.5	340.6	38

Note: Quantities based on 8:1 slope.

CENTERLINE CULVERTS									
APPROACH CULVERTS					CENTERLINE CULVERTS				
DIA	X	Y	Surface area to be protected	ECB	DIA	X	Y	Surface area to be protected	ECB
In	Ft	Ft	SF	SY	In	Ft	Ft	SF	SY
24	10.5	19.6	193.1	22	24	10.5	27.6	172.1	20
27	11.0	20.0	204.3	23	27	11.0	18.0	182.3	21
30	11.6	20.5	218.3	25	30	11.6	18.5	195.1	22
36	12.7	21.2	242.1	27	36	12.7	19.2	216.7	24
42	13.3	21.2	251.8	28	42	13.3	19.2	225.2	25
48	13.8	22.0	265.6	30	48	13.8	20.0	238.0	27
54	14.5	21.5	273.7	31	54	14.5	19.5	244.7	28
60	15.0	21.0	278.3	31	60	15.0	19.0	248.3	28
66	15.6	22.0	295.7	33	66	15.6	20.0	264.5	30
72	16.2	22.5	309.2	35	72	16.2	20.5	276.8	31

Note: Quantities based on 6:1 slope.



This document is preliminary and not for construction or implementation purposes.

Erosion Control at Culvert Flared End Sections

Project Description

Project Location