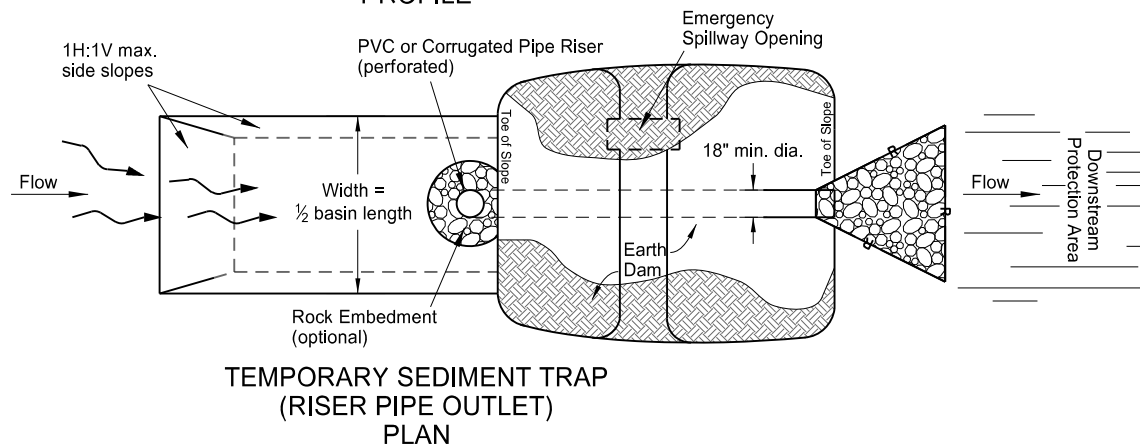
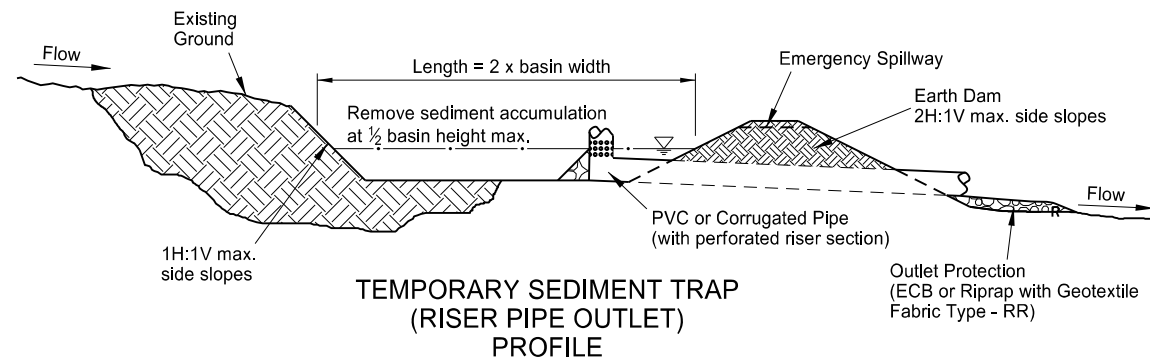
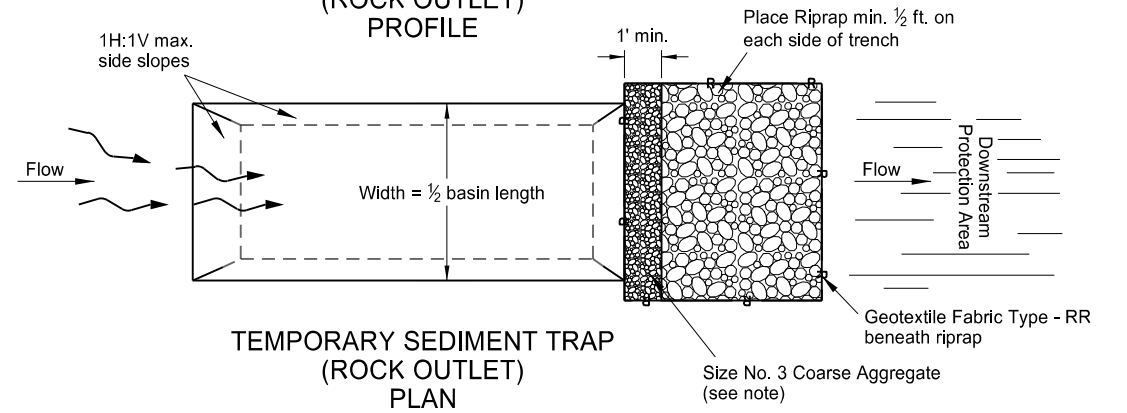
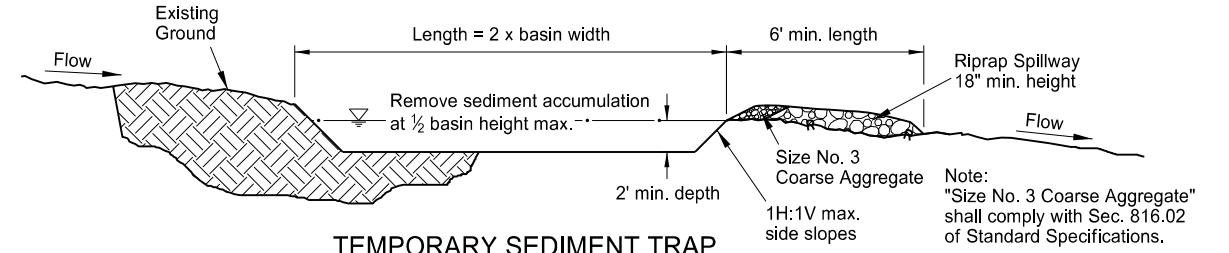
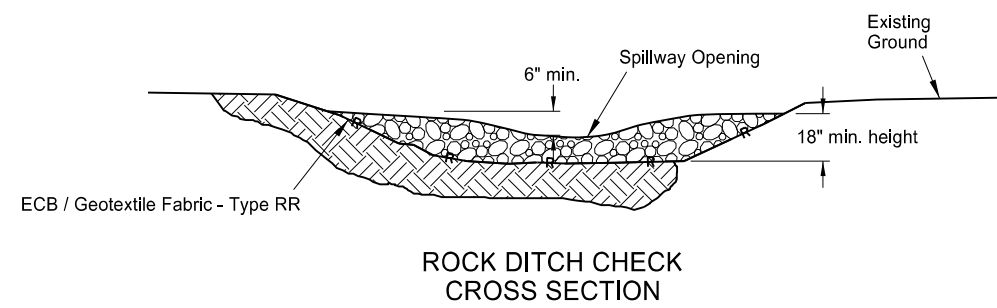
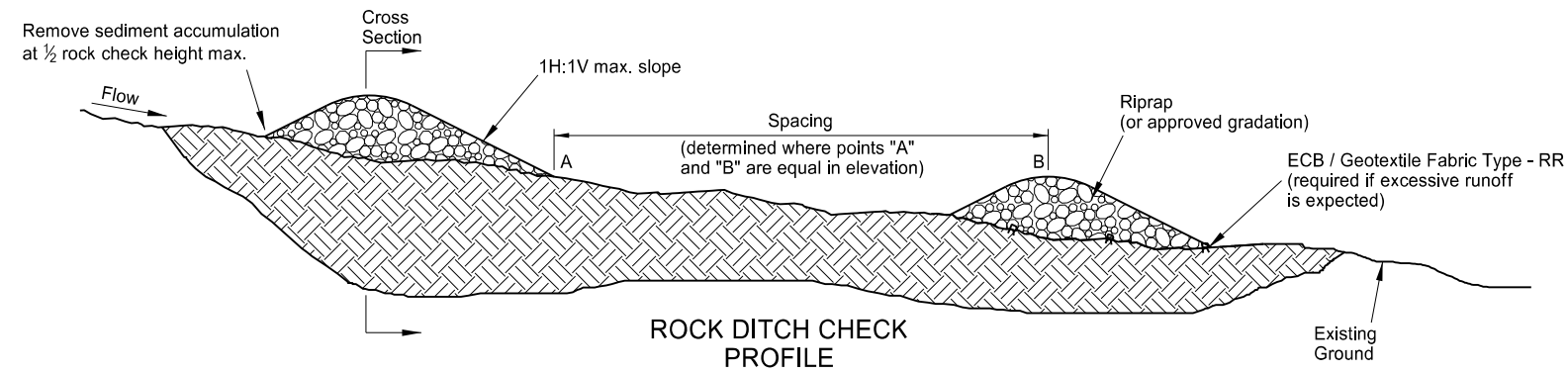


EROSION AND SILTATION CONTROLS

D-256-1



NORTH DAKOTA DEPARTMENT OF TRANSPORTATION	
10-03-13	
REVISIONS	
DATE	CHANGE
06-26-14	Changed standard drawing number from D-708-2 to D-256-1. Deleted silt fence details.

This document was originally issued and sealed by Roger Weigel Registration Number PE-2930, on 06/26/14 and the original document is stored at the North Dakota Department of Transportation